

INSTRUCTION MANUAL FTV-707

For Service Manuals
MAURITRON SERVICES
8 Cherry Tree Road, Chinnor
Oxfordshire, OX9 4QY.
Tel (01844) 351694
Fax (01844) 352554
email:- sales@mauritron.co.uk

YAESU MUSEN CO., LTD.

TOKYO JAPAN

TABLE OF CONTENTS

	(Page)
GENERAL	1
SPECIFICATIONS	2
SEMICONDUCTORS	3
FRONT PANEL CONTROLS AND SWITCHES	4
REAR APRON	5
INSTALLATION	6
INTERCONNECTIONS	6
OPERATION	8
CRYSTAL DATA	11
CIRCUIT DESCRIPTION	12
MAINTENANCE & ALIGNMENT	21
PARTS LIST	28

YAESU FTV-707 VHF/UHF TRANSVERTER



GENERAL

The FTV-707 is a mono-band transverter for the FT-707 series. The basic unit comes equipped with complete control circuitry and any of three bands (50 MHz, 144 MHz or 430 MHz) may be installed.

For satellite operators, three satellite bands are provided, allowing full duplex operation through the transceiver, using an external receiver in addition to the FTV-707. The operator may transmit on 145 MHz while listening on 29 MHz or 435 MHz, or transmit on 435 MHz while listening on 145 MHz.

The FTV-707 includes repeater splits on all repeater bands within its operating range, for operation with the many SSB repeaters that are emerging on the market. Fully solid state, the FTV-707 provides protection for the final amplifier transistors against damage caused by high SWR antenna connections.

The owner is urged to read this manual in its entirety, so as to become better acquainted with the exciting new FTV-707. With proper care in operation, this equipment will provide many years of trouble-free operation.

SPECIFICATIONS

TRANSMITTER:

Input frequency:

28 MHz to 30 MHz

Input level:

0.22 volts (rms) max.

Input impedance:

50 ohms

Power input:

20 watts DC (SSB, CW)

5 watts DC (AM)

Transmit frequency range:

50 MHz to 54 MHz*

144 MHz to 148 MHz*

430 MHz to 440 MHz*

Output impedance:

50 ohms

Spurious radiation:

Better than 60 dB down

RECEIVER:

Receiver frequency range:

50 MHz to 54 MHz*

144 MHz to 148 MHz*

430 MHz to 440 MHz*

Antenna input impedance:

50 ohms

Sensitivity:

0.25 μ V for S/N 10 dB (SSB, CW)**

1.0 μ V for S/N 10 dB (AM)**

Output frequency range:

28 MHz to 30 MHz

Output impedance:

50 ohms

POWER SUPPLY:

Power requirement:

13.5V \pm 10% Negative ground

Current consumption:

3.5 amps

GENERAL:

Size:

238 (W) x 55 (H) x 236 (D) mm

Weight:

2 kg.

* 50, 144, 430 MHz units optional.

** When used with FT-707.

SEMICONDUCTORS

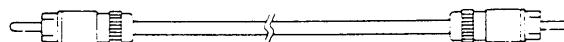
MAIN CHASSIS:	50MHz UNIT	144MHz UNIT	435MHz UNIT
FET:	FET:	FET:	Transistor:
3SK59Y 1	3SK51-03 3	3SK51-03 3	2SC784R 1
2SK19TM-GR 1			2SC1424 5
	Transistor:	Transistor:	2SC1426 1
Transistor:	2SC730 1	2SC730 1	2SC1815Y 2
2SA564Q 1	2SC784R 2	2SC784R 3	2SC2369 2
2SC1815Y 1	2SC1815Y 2	2SC1815Y 2	
2SC1815GR 2	2SC1945D 1	2SC2053 1	IC:
	2SC2053 1		78L08 1
IC:	2SC2166 1	IC:	Power module:
MC14066BP 3		MC1496G 1	UP-07BL 1
μPC14308 1	IC:	78L08 1	
	MC1496G 1	Power module:	Germanium diode:
Silicon diode:	78L08 1	VP-20BL 1	1S188FM 4
10D1 2	Germanium diode:		
1S1555 26	1S188FM 1	Germanium diode:	Silicon diode:
	Silicon diode:	1S188FM 1	1S1555 2
Varistor diode:	1S1555 12	Silicon diode:	MI301 3
MV103 1	1SS53 4	1S1555 3	1SS53 10
Zener diode:	10D1 3	1SS53 11	10D1 1
WZ081 1		10D1 1	Schottky barrier diode:
WZ110 1	Varactor diode:		1SS97 4
	1S2209 8	Varactor diode:	
LED:		1S2209 4	
TLY205 1			

Specifications subject to change without notice.

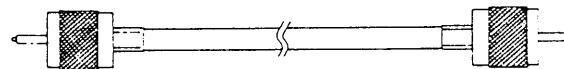
ACCESSORIES

The following accessories are included with your FTV-707:

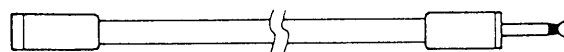
Cable "A"	(T9100071A)	1 pc.
Cable "B"	(T9100160A)	1 pc.
Speaker cord	(T9101272)	1 pc.
Screw	(U00310001)	2 pcs.
Spacer	(R6052652)	1 pc.
Spare Fuse 5A	(Q0000005)	1 pc.



CABLE A



CABLE B



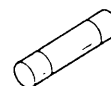
SPEAKER CORD



SCREW FOR CONVERTER UNIT FIX

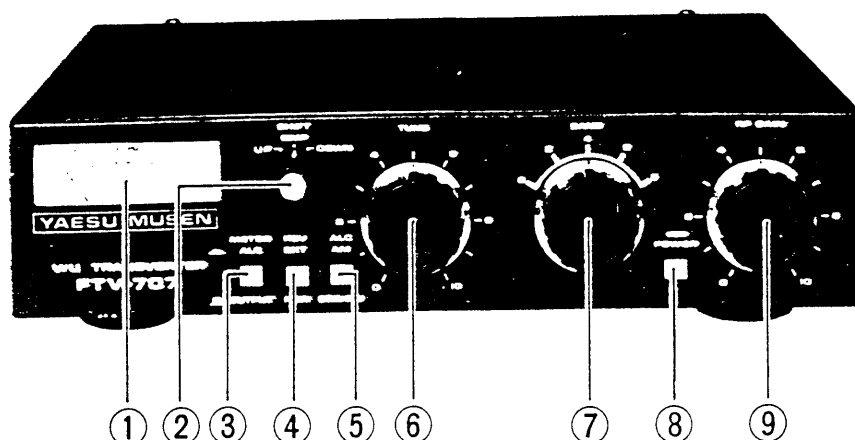


SPACER
Use for 430MHz UNIT



FUSE

FRONT PANEL CONTROLS AND SWITCHES



(1) METER

Depending on the position of the METER switch, the front panel meter will display either the ALC or output relative power level.

(2) SHIFT

This switch selects the UP/DOWN repeater shift or simplex operation.

(3) METER (SWITCH)

This switch selects indication of either the relative output power or the ALC level on the front panel meter.

(4) RCV

This switch allows selection of the receive operation using the FT-707 transceiver (NOR) or an external receiver (EXT) for satellite work, etc.

(5) ALC

This switch selects ALC for SSB/CW or AM. Select this switch according to your operation mode.

(6) TUNE

For 50 or 144 MHz operation, this control peaks the transmit and receive circuits for maximum performance. On 430 MHz, the tuned circuits of the transverter are preset, and no further tuning is required.

(7) BAND

For 6 or 2 meter operation, two bands are provided. These bands allow a coverage of 4 MHz, in conjunction with the four 500 kHz ranges of the FT-707 10 meter band. For 430 MHz operation, 5 bands are provided, allowing operation on the 10 MHz range of 430 – 440 MHz.

(8) POWER

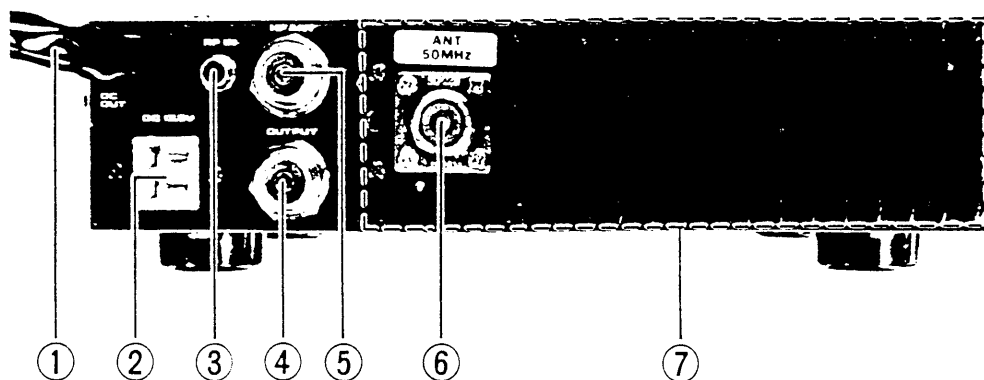
This is the main power ON/OFF switch. When the switch is set to OFF, the HF antenna is automatically fed through the transceiver.

(9) RF GAIN

For 50 or 144 MHz operation, this control varies the gain of the RF amplifier stage.

On 430 MHz, this control has no effect as the RF amplifier is always set for maximum gain.

REAR APRON



(1) DC OUT

This lead provides DC voltage to the FT-707 transceiver. When the FTV-707 is switched off, the DC voltage is automatically fed to the final stage of the FT-707.

(2) DC 13.5V

This is the power jack of the FTV-707. Connect the plug of the FP-707 DC power supply at this point.

(3) RF IN

This RCA jack is for connection to the FT-707 RF OUT jack. Use the supplied "Cable A" for this connection.

(4) OUTPUT

This jack should be connected to the FT-707 ANT jack, providing converted receive signals to the transceiver. When the FTV-707 is off, the HF ANT is connected through this jack to the FT-707. For this connection, use the supplied "Cable B".

(5) HF ANT

Connect your HF antenna to this jack. When using a linear amplifier for the HF bands, connect a coaxial cable between this jack and the amplifier RF input jack. The switching circuit is not designed to handle the high power output from an amplifier.

(6) ANT JACK

Connect your VHF or UHF antenna, matched to your operation band, to this jack. For 144 and 50 MHz units, a PL-259 plug is suitable for this jack. For 430 MHz units, a "Type N" plug may be used.

(7) 50/144/430 UNIT (Option)

This rack is for installation of the 50, 144 or 430 MHz unit, depending on your desired band.

INSTALLATION

INSTALLATION

Open the packing carton carefully and save the packing material for possible use at a later date. Inspect the FTV-707 for any signs of damage that may have occurred during shipment. If there is any visible damage, contact the shipping company immediately, and document the damage thoroughly.

Refer to the drawings for details of the proper interconnection procedure for the FTV-707 and your station equipment. Note that the input impedance for the FTV-707 is 50 ohms, and the maximum permissible input level is 0.22 V RMS. Therefore, if you are using a transceiver other than the FT-707, be certain not to exceed these specifications.

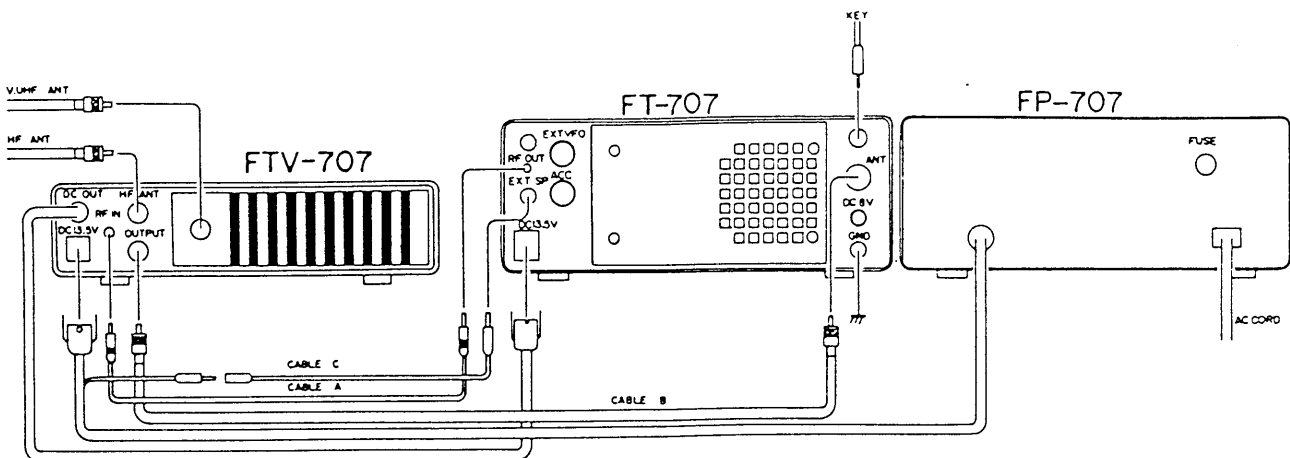
The transceiver may be installed in any position without loss of performance. The only constraints regarding installation involve air circulation: the transceiver should be located where there is free passage of air around the cabinet and heat sink.

ANTENNA CONSIDERATIONS

The antenna installation is of critical importance in VHF and UHF bands. Furthermore, the power loss at the coaxial cable is markedly higher than that of the HF bands. To minimize loss, use the shortest length possible of low-transmission-loss cable, so that the maximum performance of the FTV-707 will be obtained.

In most cases, coverage is a function of antenna height. The antenna for base station operation should be located as high and in the clear as possible. For operation a long distance away, a gain antenna such as Yagi or other high gain directional array may be required. If you contact your nearest Yaesu dealer, he will be happy to recommend the most suitable antenna for your requirements.

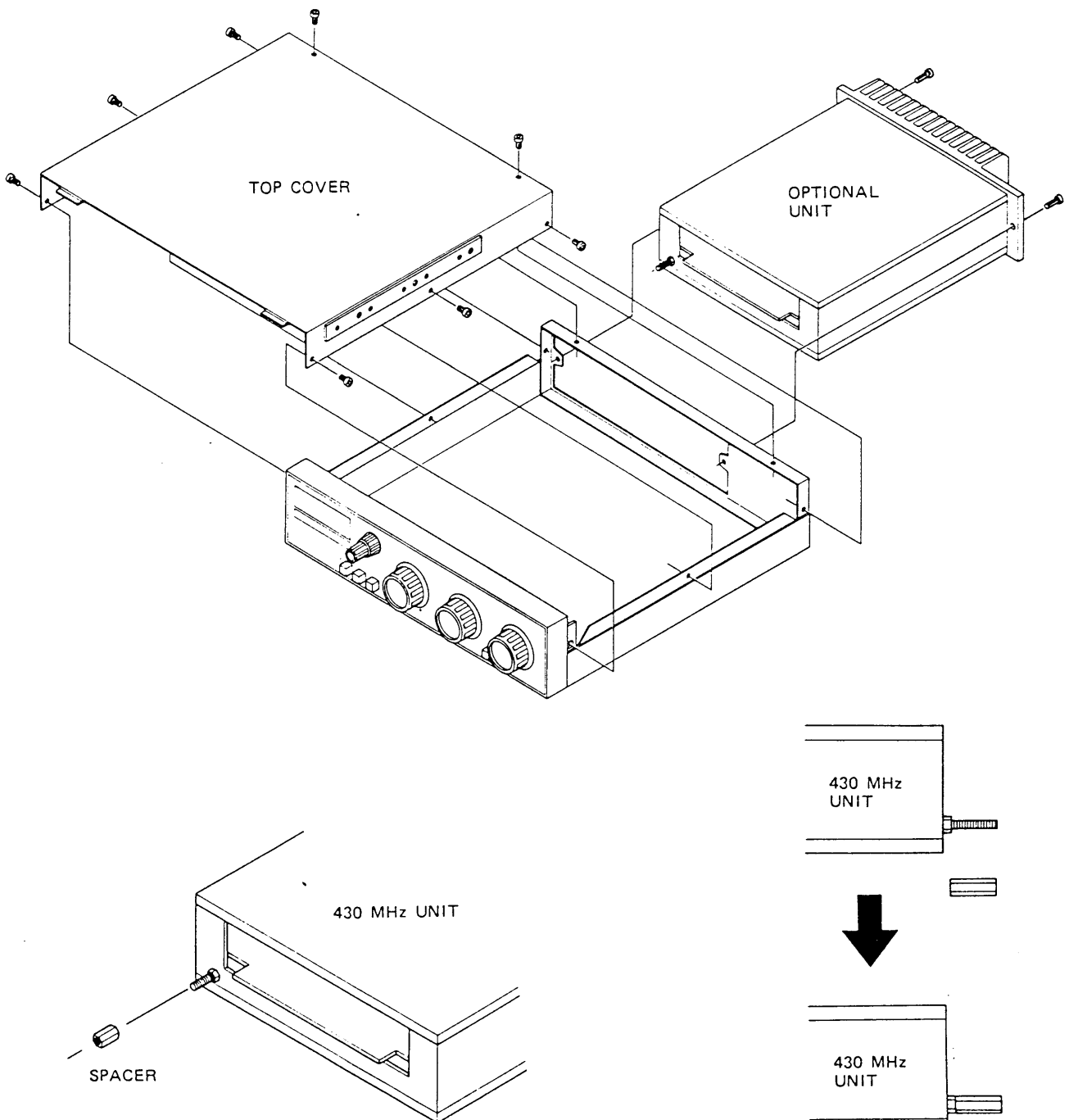
INTERCONNECTIONS



For Service Manuals
MAURITRON SERVICES
8 Cherry Tree Road, Chinnor
Oxfordshire, OX9 4QY.
Tel (01844) 351694
Fax (01844) 352554
email:- sales@mauritron.co.uk

INSTALLATION OF OPTIONAL MODULES

1. Remove the top cover of the transverter to allow precise installation.
2. Carefully slide the module into the correct position. Do not force the connection. For the 430 MHz unit, install a spacer into the screw at the rear of the 430 MHz unit, as shown below, and then install the unit into the rack.
3. Replace the cabinet cover. Installation is now complete.



OPERATION

The tuning procedure for the FTV-707 is not complicated. However, care should be observed in operation, so as not to exceed the ratings of the transverter and the HF transceiver. It is assumed that the proper interconnections have been performed, as described on page 6.

The reader should note that the plug-in units are optional on the standard FTV-707. The word "option" will hereafter be omitted in the interest of brevity.

INITIAL CHECK

Before turning the FTV-707 and FT-707 on, check all switches for normal, smooth action. Recheck the interconnections between the HF equipment, the antenna system, and the transverter.

FREQUENCY SELECTION

The operating frequency is determined by the position of the main tuning dial and bandswitch of the transceiver, as well as the position of the transverter bandswitch. Please refer to the frequency chart below.

For example, with the FT-707 bandswitch set to 10A, and the FTV-707 bandswitch set to "4", operation will take place on 144.0–144.5 MHz. By setting the FT-707 main tuning dial to 28.250 MHz, operation will take place on 144.250 MHz.

FREQUENCY COVERAGE CHART

	FT-707		10A	10B	10C	10D	
	BANDSWITCH		28.0–28.5	28.5–29.0	29.0–29.5	29.5–30.0	
FTV-707 BANDSWITCH	0	50–52	50.0–50.5	50.5–51.0	51.0–51.5	51.5–52.0	Not used 4, 6, 8
	2	52–54	52.0–52.5	52.5–53.0	53.0–53.5	53.5–54.0	
	4	144–146	144.0–144.5	144.5–145.0	145.0–145.5	145.5–146.0	Not used 0, 2, 8
	6	146–148	146.0–146.5	146.5–147.0	147.0–147.5	147.5–148.0	
	0	430–432	430.0–430.5	430.5–431.0	431.0–431.5	431.5–432.0	Not used shift operation
	2	432–434	432.0–432.5	432.5–433.0	433.0–433.5	433.5–434.0	
	4	434–436	434.0–434.5	434.5–435.0	435.0–435.5	435.5–436.0	
	6	436–438	436.0–436.5	436.5–437.0	437.0–437.5	437.5–438.0	
	8	438–440	438.0–438.5	438.5–439.0	439.0–439.5	439.5–440.0	... Down shift available

NORMAL TUNE UP

- (1) Set the FTV-707 SHIFT switch to SIMP, the RCV switch to NOR, the METER switch to ALC, the ALC switch to SSB/CW, and the BAND switch to the desired band. Set up the FT-707 for operation on the section of the 10 meter band appropriate for the VHF or UHF frequency to be worked.
- (2) Set the FTV-707 POWER switch to ON.
- (3) Set the transceiver CAR control fully counter-clockwise, and close the PTT switch. For 50 or 144 MHz operation, apply a key-down signal, and advance the transceiver CAR control until the ALC meter needle reaches the right-hand side of the ALC scale (the ALC scale is the lowermost range on the meter). Now set the FTV-707 METER switch to OUTPUT, and rotate the TUNE control for maximum power output as indicated on the transverter meter.
- (4) For 430 MHz operation, there is no peaking procedure for the transverter. The only adjustment that must be made is to set the input level to the transverter. As with 50 or 144 MHz operation, the drive level should be adjusted so that the meter needle rests within the ALC scale on the meter.
- (5) For CW operation, set the ALC switch to SSB/CW. Do not advance the CAR control of the FT-707 so that the ALC meter needle goes beyond the ALC scale on the meter.
- (6) For SSB operation, adjust the FT-707 MIC GAIN so that the meter needle stays within the ALC meter scale on voice peaks.
- (7) For AM operation, set the ALC switch to AM. Set the METER switch to OUTPUT, and advance the FT-707 CAR control until the meter needle reaches .3 on the output scale. Now advance the transceiver MIC GAIN control until the output meter just begins to move on voice peaks.
- (8) Advancement of the drive level beyond that stated above will not increase the power output. However, component life will be shortened drastically if these input levels are exceeded.
- (9) For 50 or 144 MHz operation, rotation of the FTV-707 RF GAIN control will provide adjustment of the receive converter gain level. For 430 MHz operation, this control has no effect, as the converter is always set for maximum gain.

REPEATER OPERATION

For operation on SSB repeaters, standard repeater shifts are provided on the FTV-707. Alternatively, when using a transceiver equipped for FM operation, FM repeater operation is possible. Note that the FT-902DM/FT-101ZD transceivers may not be used directly with the FTV-707, because the RF OUT jack on the FT-902DM/FT-101ZD is connected to the control grid of the final amplifier tubes, thus presenting a high impedance at the RF OUT jack. The FTV-707 requires a 50 ohm input from the transceiver.

For 50 MHz, repeater splits of -1 MHz are provided, while on 144 MHz, splits of ± 600 kHz are provided. For 70 cm, 1.6 MHz down shift will occur on the 434.6–434.825 MHz European band, or 7.6 MHz down shift can be provided on the 438.6–439.05 MHz European band (note that only one shift capability can be installed in the FTV-707). The 70 cm repeater shift crystal is an option, available from your Yaesu dealer. The 6 and 2 meter crystals are included with all plug-in units for those bands.

SATELLITE OPERATION

Operation on the amateur satellites is possible, using an external receiver in addition to the FT-707 transceiver. The FT-707 provides the transmit signal, while the external receiver monitors the downlink, on full duplex.

For OSCAR Mode A, transmission takes place on 145.850–145.950 MHz, with reception on 29.400–29.500 MHz. Set the FTV-707 BAND switch to the 4 position, and set the FT-707 BAND switch to 10D. Tune the transceiver between 29.850 and 28.950 MHz for uplink transmission, and tune the external receiver to 29.4–29.5 MHz for downlink monitoring.

Please note that, because of Doppler effect and other reasons, the frequency translation may not be precisely linear, as might be inferred from the above discussion. Some precise zeroing using the external receiver may be necessary. The full duplex feature of the FT-707 makes this a simple matter.

AUXILIARY REPEATER SPLIT INFORMATION

Should you require a repeater split other than the standard ones included with your FTV-707, you may install an optional crystal to cover the desired split. See your Yaesu dealer for details.

To align the split frequency, set the RPT split to DWN, and couple a frequency counter lightly to the transmission line (a one-turn loop is usually sufficient). Close the PTT switch, and adjust the trimmer capacitor for the crystal for exactly the correct transmit frequency. Alternatively, the frequency counter may be connected to the LOCAL OUT terminal of the board under test, and the local oscillator frequency may then be read on the counter. The local oscillator chart shown on page 11 will show you how to calculate the frequency.

CRYSTAL DATA:FTV-707

FUNCTION		HOLDER	RANGE (MHz)	MODE	LOAD C	EFFECTIVE RESISTANCE	DRIVE LEVEL
50 MHz	X ₂₀₁	HC-18/U	22.0	Fundamental	19 pF	15 Ω	2 mW
	X ₂₀₂	"	24.0	"	"	"	"
	X ₂₀₅	HC-25/U	21.0	"	"	"	"
	X ₂₀₆	"	23.0	"	"	"	"
144 MHz	X ₆₀₁	HC-18/U	38.666..	3rd overtone	15 pF	25 Ω	"
	X ₆₀₂	"	39.333..	"	"	"	"
	X ₆₀₃	HC-25/U	38.866..	"	"	"	"
	X ₆₀₄	"	39.533..	"	"	"	"
	X ₆₀₅	"	38.466..	"	"	"	"
	X ₆₀₆	"	39.133..	"	"	"	"
430 MHz	X ₁₆₀₁	HC-25/U	67.000	"	23.5 pF	40 Ω	0.5 mW
	X ₁₆₀₂	"	67.333..	"	"	"	"
	X ₁₆₀₃	"	67.666..	"	"	"	"
	X ₁₆₀₄	"	68.000	"	"	"	"
	X ₁₆₀₅	"	68.333..	"	"	"	"
	X ₁₆₀₆ (1.6MHz DOWN)	"	67.400	"	"	"	"
	X ₁₆₀₆ (7.6MHz DOWN)	"	67.066..	"	"	"	"

BAND	50MHz			
RANGE	50-52	52-54	50-52 (1MHz DOWN)	52-54 (1MHz DOWN)
LOCAL FREQUENCY	22MHz (x1)	24MHz (x1)	21MHz (x1)	23MHz (x1)
OSC. FREQUENCY	22MHz ☆	24MHz ☆	21MHz ☆	23MHz ☆

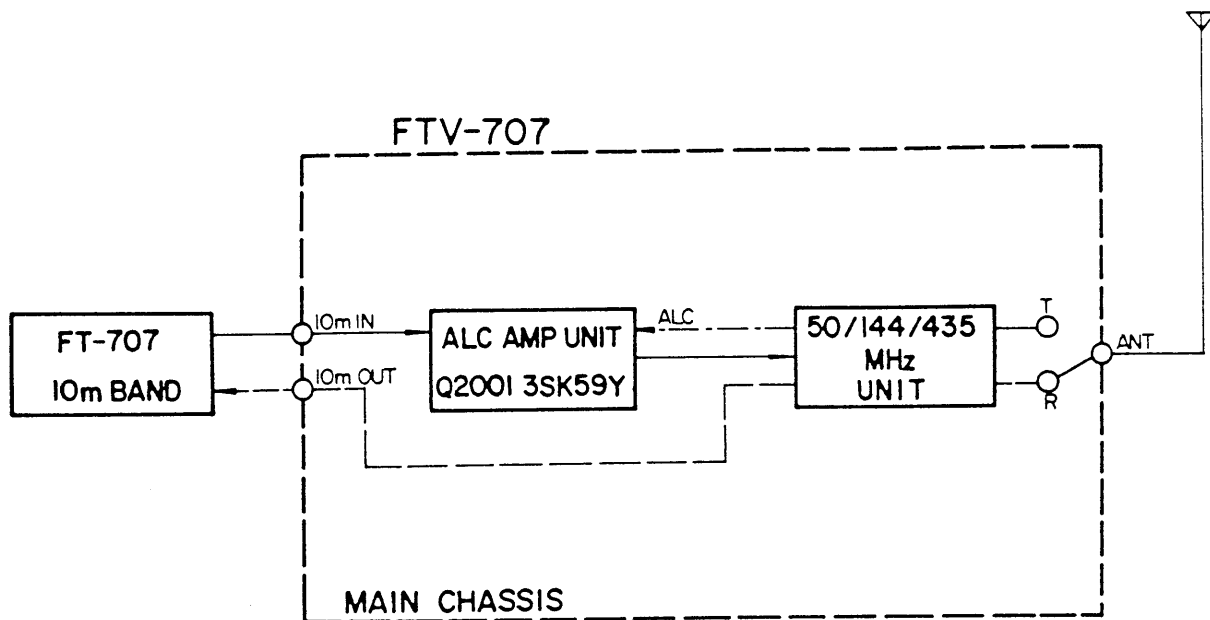
BAND	144MHz					
RANGE	144-146	146-148	144-146 (600kHz UP)	144-146 (600kHz DOWN)	146-148 (600kHz UP)	146-148 (600kHz DOWN)
LOCAL FREQUENCY	116MHz (x3)	118MHz (x3)	116.6MHz (x3)	115.4MHz (x3)	118.6MHz (x3)	117.4MHz (x3)
OSC. FREQUENCY	38.666...MHz ▲	39.333...MHz ▲	38.866...MHz ▲	38.466...MHz ▲	39.533...MHz ▲	39.133...MHz ▲

BAND	430MHz						
RANGE	430-432	432-434	434-436	436-438	438-440	434-436 (1.6MHz DOWN)	438-440 (7.6MHz DOWN)
LOCAL FREQUENCY	402MHz (x3x2)	404MHz (x3x2)	406MHz (x3x2)	408MHz (x3x2)	410MHz (x3x2)	404.4MHz (x3x2)	402.4MHz (x3x2)
OSC. FREQUENCY	67.000MHz ▲	67.333...MHz▲	67.666...MHz▲	68.000MHz ▲	68.333...MHz▲	67.400MHz ▲	67.066...MHz▲

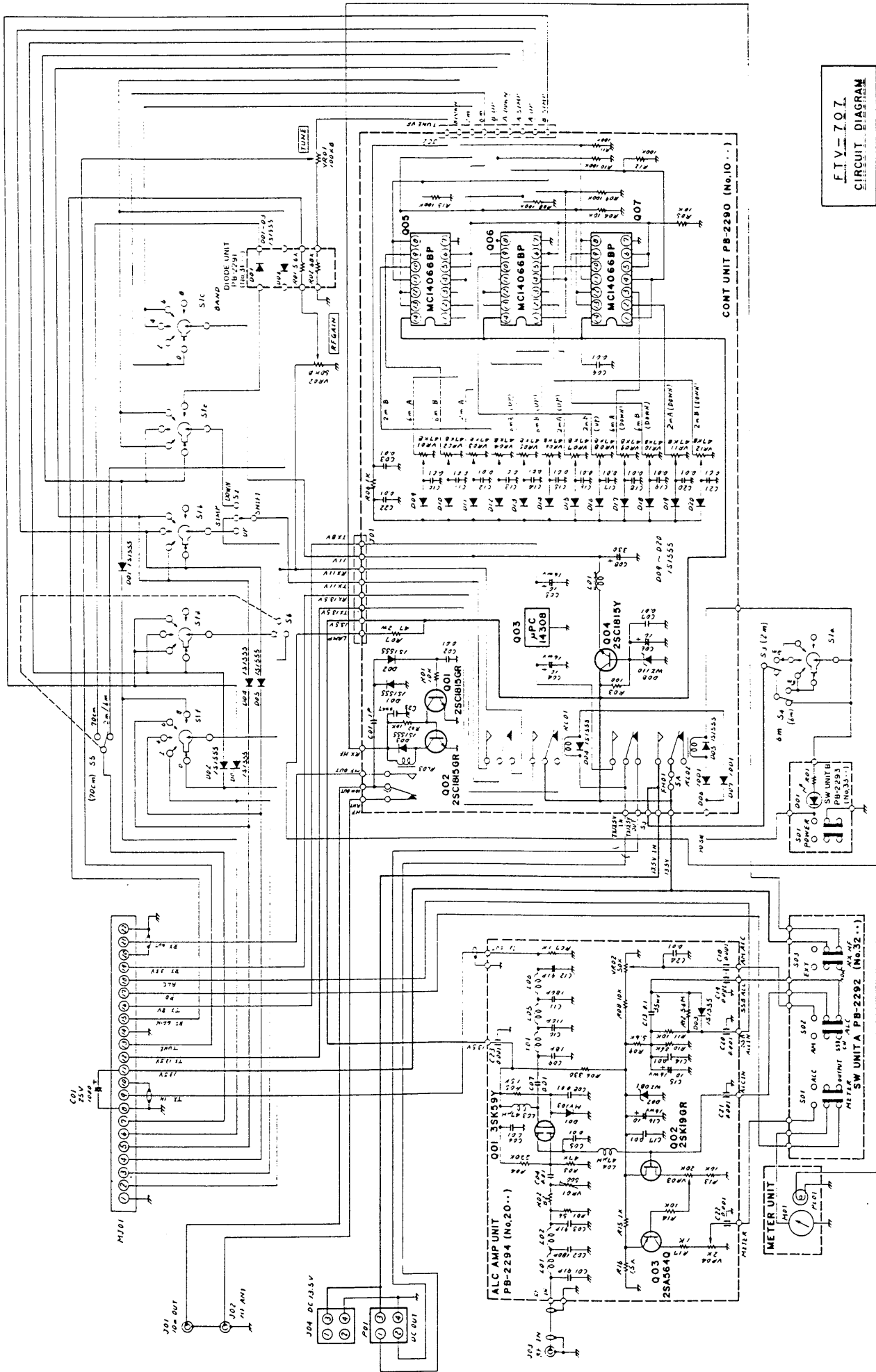
- ☆ FUNDAMENTAL
- ▲ THIRD OVERTONE

CIRCUIT DESCRIPTION

The circuit description to follow should help you understand the operation of the FTV-707 transverter. Follow the block diagrams while reading this discussion, and refer to the schematic diagram for specific details.



FTV-707 BLOCK DIAGRAM



F1V-70Z
CIRCUIT DIAGRAM

50 MHz UNIT

The 50 MHz signal from the antenna is fed through a low-pass filter, consisting of C_{323} , C_{324} , L_{312} and L_{313} , to RL_{301} . On receive, the signal is amplified by Q_{205} (3SK51) and fed through a selective bandpass filter, which is tuned to the operating frequency by varactor diodes D_{210} and D_{211} (1S2209). The second gate of Q_{205} is connected through a large resistor to the front panel RF GAIN control, allowing variation in the gain of the RF amplifier.

The signal is then fed to the mixer, Q_{206} (3SK51), where the 50–54 MHz signal is mixed with a local signal of 22 or 24 MHz, producing an IF signal of 28–30 MHz which is fed through a diode switch to the 10 M OUTPUT jack.

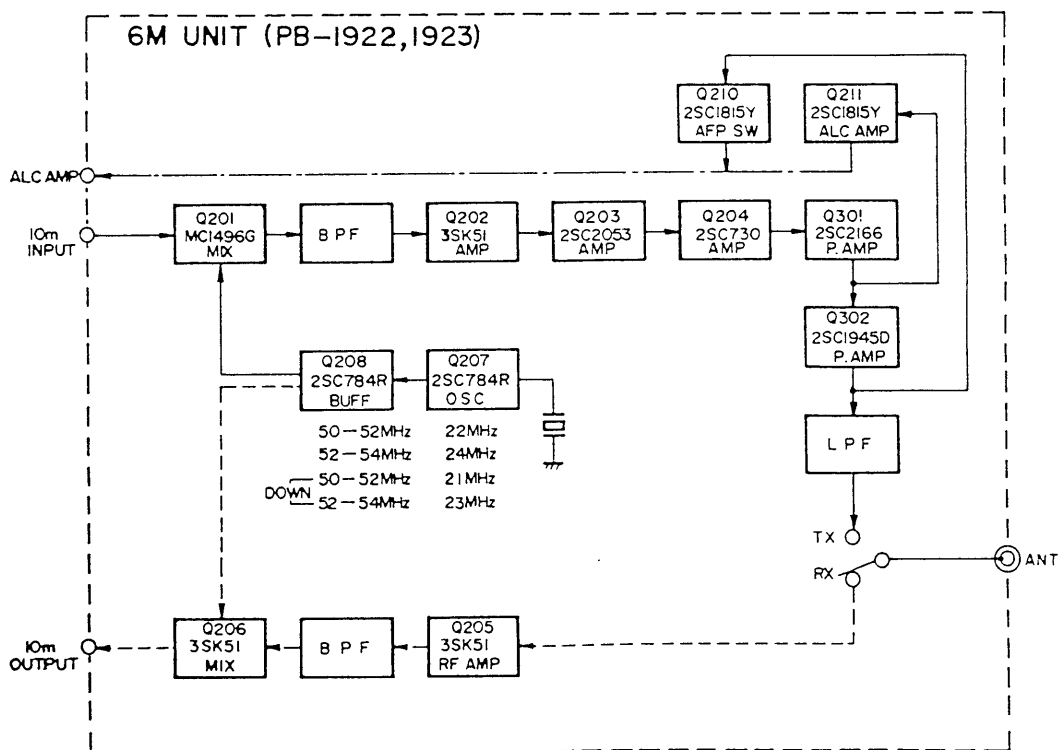
The local signal is generated by crystal oscillator Q_{207} (2SC784R), and amplified by Q_{208} (2SC784R). For repeater operation, the local signal is shifted down 1 MHz, according to the position of the front panel SHIFT switch.

For transmission, the 28–30 MHz output signal from the transceiver is fed to the balanced mixer,

Q_{201} (MC1496G), where it is mixed with the local signal delivered from Q_{208} . The 50–54 MHz signal is then passed through a selective bandpass filter, which effectively eliminates spurious signals. The signal is then amplified by the amplifier chain, consisting of Q_{202} (3SK51), Q_{203} (2SC2053), Q_{204} (2SC730), Q_{301} (2SC2166), and Q_{302} (2SC1945D). The output signal of approximately 10 watts is then fed, via a low pass filter, to the ANT jack.

A portion of the output from Q_{301} is detected by D_{303} and D_{304} (1S1555), and the resulting DC voltage is amplified by Q_{210} (2SC1815Y) for ALC purposes. A portion of the output from L_{311} is detected by D_{307} (1S188FM) and fed to the base of Q_{211} , controlling the gain of ALC AMP (Q_{2001}). Q_{210} (2SC1815Y) works as a switch for the automatic final protection circuit, which will reduce the gain of the amplifier transistors in case of high SWR. A further portion of the output is detected by D_{305} (1S1555) and fed to the meter, for an indication of relative power output.

Q_{309} (78L08) regulates the supply voltage at 8 volts for the local oscillator circuit.



CONVERTER UNIT
(PBI922 NO2..)

Q04 25C730

Q03 25C2053

Q02 35K51

Q01 MCI4966

Q08 25C784R

Q09 78L08

Q00 25C1815-Y

Q10 25C1815-Y

Q07 25C784R

Q06 35K51

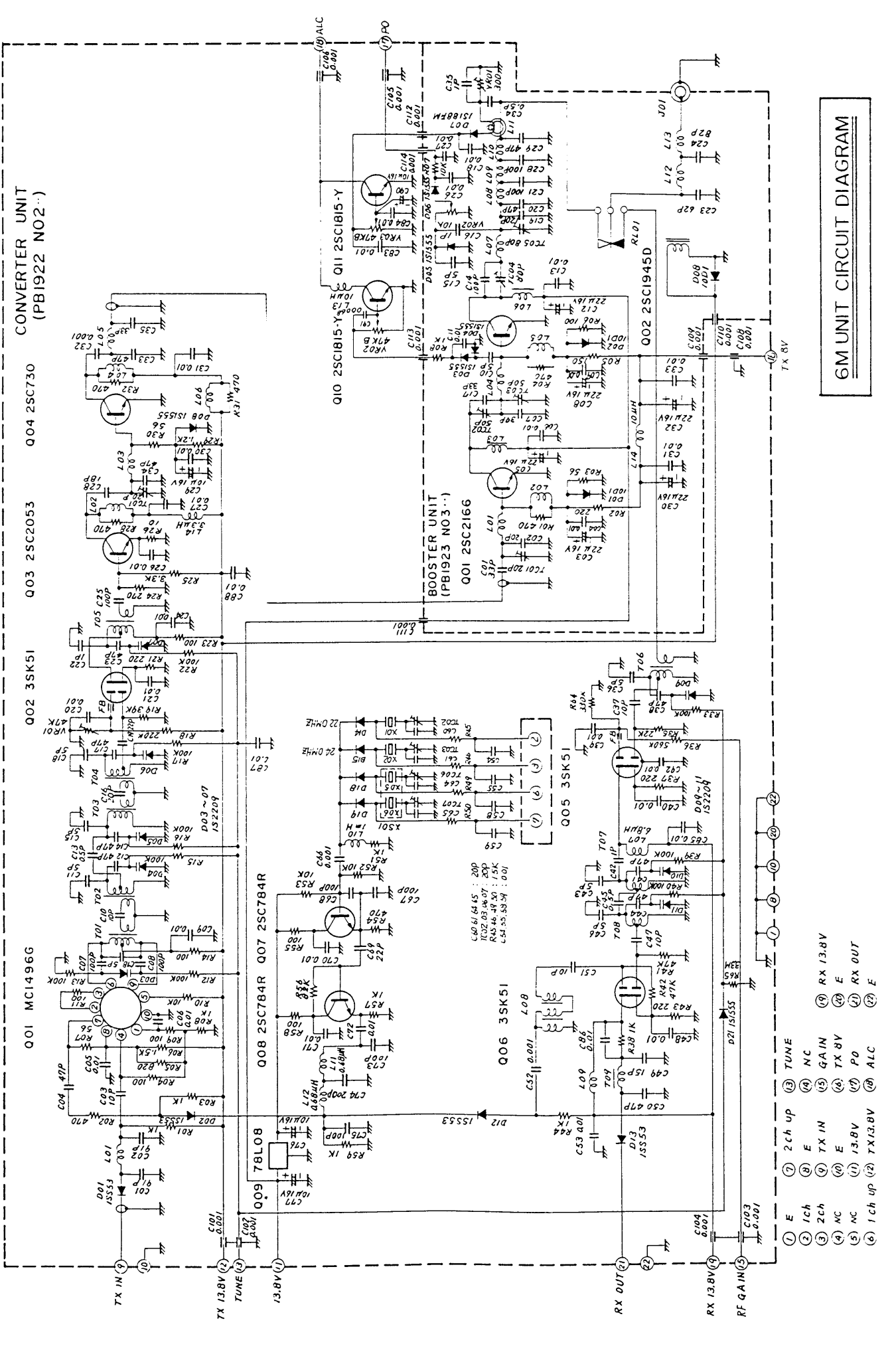
Q05 35K51

BOOSTER UNIT
(PBI923 NO3..)

Q01 25C2166

Q02 25C1945D

Q11 25C1815-Y



6M UNIT CIRCUIT DIAGRAM

- (1) E
- (2) 1ch
- (3) 2ch
- (4) NC
- (5) TX IN
- (6) TX BY
- (7) RX OUT
- (8) TX 13.8V
- (9) RX 13.8V
- (10) TX 13.8V
- (11) PO
- (12) TX 13.8V
- (13) TUNE
- (14) NC
- (15) GAIN
- (16) TX BY
- (17) RX OUT
- (18) TX 13.8V
- (19) RX 13.8V
- (20) TX 13.8V
- (21) PO
- (22) TX 13.8V
- (23) ALC

144 MHz UNIT

The incoming 144 MHz signal is fed through a low-pass filter, consisting of L_{708} , C_{716} , and C_{717} , to RL_{701} . On receive, the signal is amplified by Q_{605} (3SK51). The output from Q_{605} is fed through a 4-stage bandpass filter. Gate 2 of the RF amplifier is connected through a large resistor to the front panel RF GAIN control.

The signal is then fed to the mixer, Q_{606} (3SK51), where the incoming signal is heterodyned with a local signal of 116 or 118 MHz, producing an IF signal of 28–30 MHz which is fed through a diode switch to the 10 M OUTPUT jack.

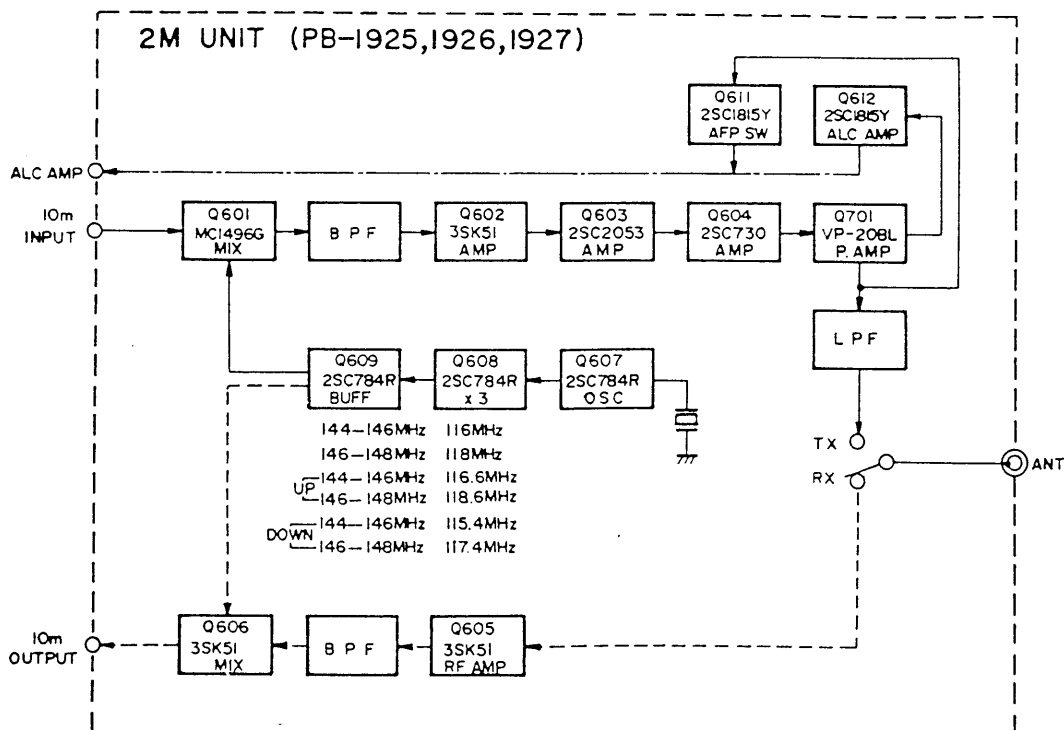
The local signal is generated at 38.666 MHz or 39.333 MHz by Q_{607} (2SC784R), then delivered to tripler Q_{608} (2SC784R), then delivered through buffer Q_{609} (2SC784R) to gate 2 of Q_{606} . For repeater operation, the local signal is shifted up or down 600 kHz, depending on the position of the front panel SHIFT switch.

For transmission, the 28–30 MHz input signal is fed to Q_{601} (MC1496G), where it is mixed with the local signal delivered from Q_{609} . The 144–148 MHz signal is then fed through a selective bandpass

filter, which is tuned to the operating frequency by varactor diodes D_{602} , D_{603} , and D_{604} (1S2209), thus effectively eliminating spurious responses. The signal is then amplified by the amplifier chain, consisting of Q_{602} (3SK51), Q_{603} (2SC2053), Q_{604} (2SC730), and delivered to the final amplifier, Q_{701} (VP-20BL).

A portion of the output signal at the power module is amplified by Q_{612} (2SC1815Y) for ALC purposes. A portion of the output signal is also fed to Q_{611} (2SC1815Y), which acts as a switch for the AFP circuit, which will protect Q_{701} from damage caused by high SWR. A further portion of the output is detected by D_{702} (1S1555) and fed to the meter, for an indication of relative power output.

The 8 volt line is further stabilized by Q_{510} (78L08) for the local oscillator circuitry.



CONVERTER UNIT
(PBI925 NO6..)

Q04 25C730

Q03 25C2053

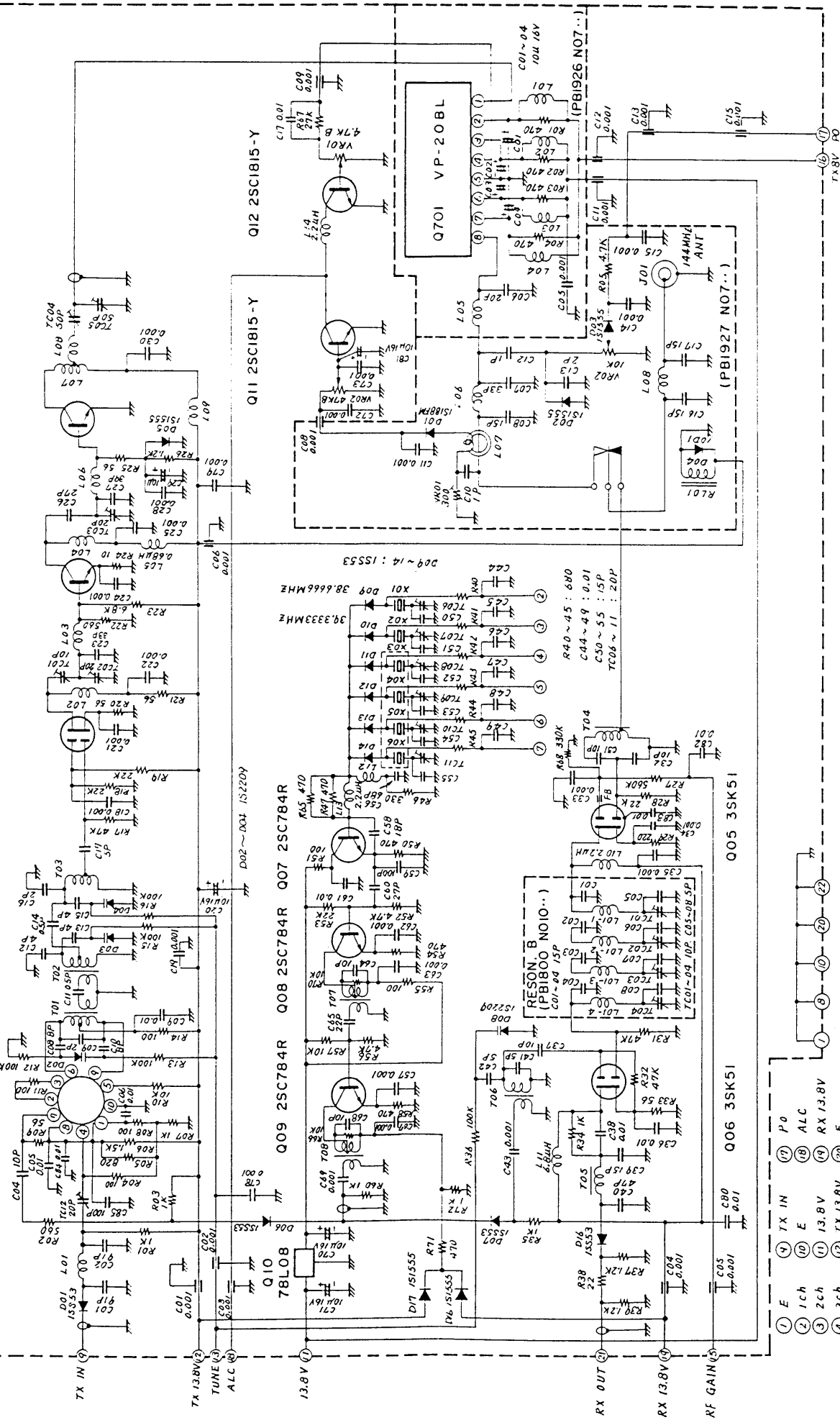
Q02 35K51

Q01 MC1496G

Q09 25C784R

Q08 25C784R

Q07 25C784R



2M UNIT CIRCUIT DIAGRAM

- | | | | | | |
|---|-----|----|----------|----|----------|
| 1 | E | 4 | TX IN | 17 | P0 |
| 2 | 1ch | 5 | E | 18 | ALC |
| 3 | 2ch | 6 | 13.8V | 19 | RX 13.8V |
| 4 | 3ch | 7 | TX 13.8V | 20 | E |
| 5 | 4ch | 8 | TUNE | 21 | RX OUT |
| 6 | 5ch | 9 | NC | 22 | E |
| 7 | 6ch | 10 | GAIN | 23 | E |
| 8 | E | 11 | 13.8V | 24 | 1.5kV |

430 MHz UNIT

The incoming signal is fed through RL₁₃₀₁ to the two stage RF amplifier, consisting of Q₁₂₀₁ and Q₁₂₀₂ (2SC2369), and then passed through a selective filter to the doubly balanced diode mixer, D₁₅₀₃-D₁₅₀₆ (1SS97) where the incoming signal is mixed with a 402-410 MHz local signal, producing a 28-30 MHz output signal which is fed to the 10 M OUTPUT jack.

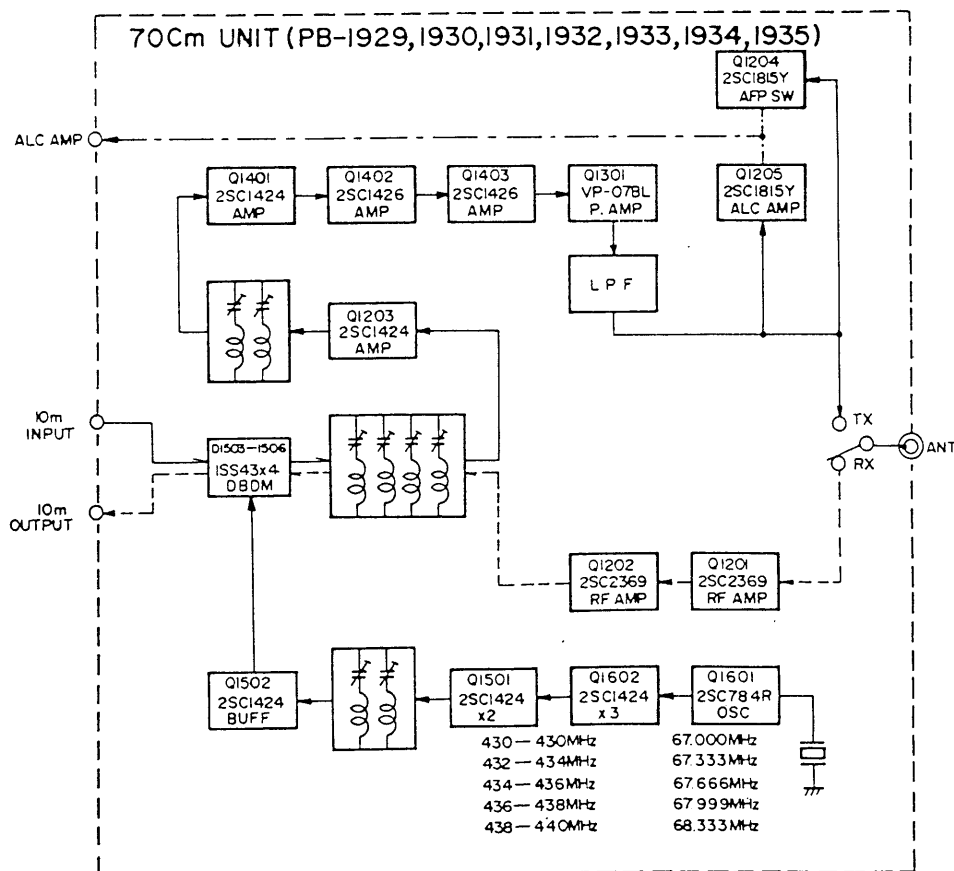
The local signal is generated at 67-68 MHz by oscillator Q₁₆₀₁ (2SC784R), then multiplied by Q₁₆₀₂ and Q₁₅₀₁ (2SC1424). The local signal at 402-410 MHz is then passed through a selective filter to buffer Q₁₅₀₂ (2SC1424), for delivery to the mixer.

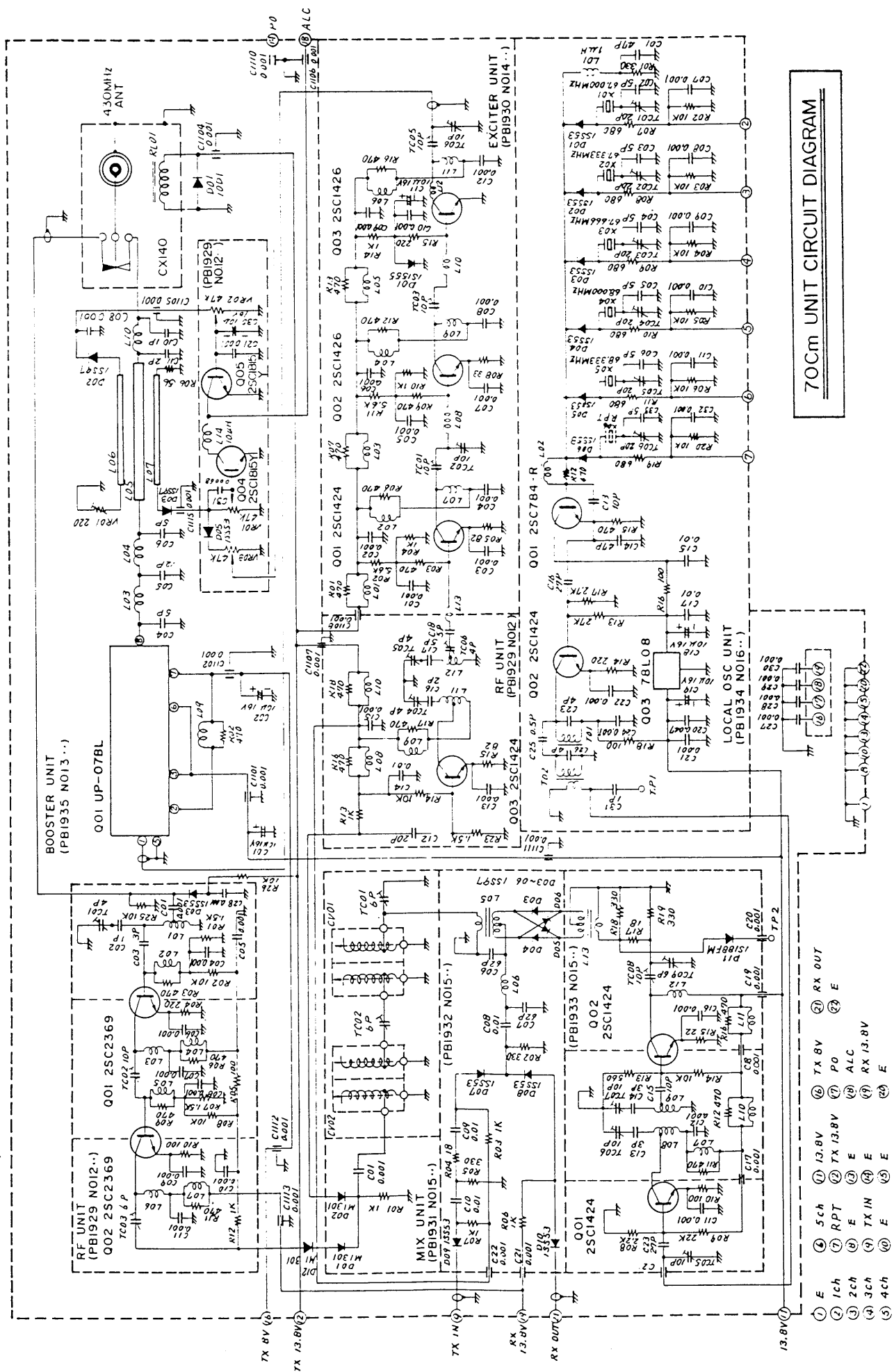
For transmission, the output from the transceiver is delivered to the diode ring mixer, where it is heterodyned with the local oscillator signal, resulting in a signal of 430-440 MHz. The signal is then fed through a selective filter, which effectively eliminates spurious responses. The signal is then

amplified by Q₁₂₀₃ (2SC1424), fed through another selective filter, then amplified by the amplifier chain, consisting of Q₁₄₀₁ (2SC1424), Q₁₄₀₂ (2SC1426), Q₁₄₀₃ (2SC1426), and final amplifier Q₁₃₀₁ (UP-07BL). The output signal from Q₁₃₀₁ is fed through a stripline filter, via RL₁₃₀₁, to the ANT jack.

A portion of the output from L₁₃₀₆ is detected by D₁₃₀₂ (1S188FM) and fed to the base of Q₁₂₀₅ (2SC1815Y), controlling the gain of ALC AMP Q₂₀₀₁. Q₁₂₀₄ (2SC1815Y) acts as a switch for the automatic final protection circuit. A further portion of the output signal is rectified by D₁₃₀₃ (1S188FM) and fed to the meter, providing indication of relative power output.

The supply voltage for the local oscillator circuit is regulated at 8 volts by Q₁₆₀₃ (78L08).



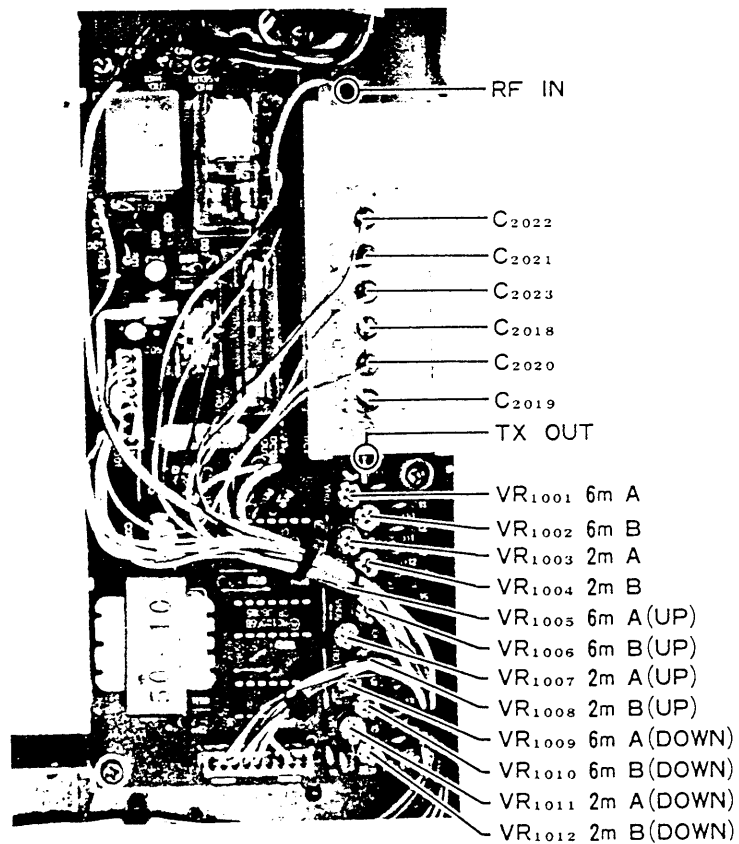


70cm UNIT CIRCUIT DIAGRAM

- ① E
- ② 5ch
- ③ 1ch
- ④ 2ch
- ⑤ 4ch
- ⑥ 13.8V
- ⑦ TX 13.8V
- ⑧ TX 8V
- ⑨ TX 8V
- ⑩ RX OUT
- ⑪ P0
- ⑫ ALC
- ⑬ TX 13.8V
- ⑭ TX IN
- ⑮ E
- ⑯ E
- ⑰ E
- ⑱ E
- ⑳ RX OUT

ALC AMP UNIT

The 28 MHz signal from the transceiver is fed through two sections of pi filter, and an attenuator to gate 1 of Q₂₀₀₁ (3SK59Y), where the signal is amplified and the amplitude of output is controlled so as not to exceed the level necessary to drive the 50, 144 or 430 MHz unit. The output level of Q₂₀₀₁ is controlled to correspond to the ALC voltage delivered from the ALC amplifier. The ALC voltage supplied from the modules is fed to gate 2 of Q₂₀₀₁ for gain control purposes. In the AM mode, the ALC level is fixed. A portion of the ALC signal is amplified by amplifiers Q₂₀₀₂ (2SK19GR) and Q₂₀₀₃ (2SA564Q), providing a DC voltage for the ALC meter.



MAINTENANCE AND ALIGNMENT

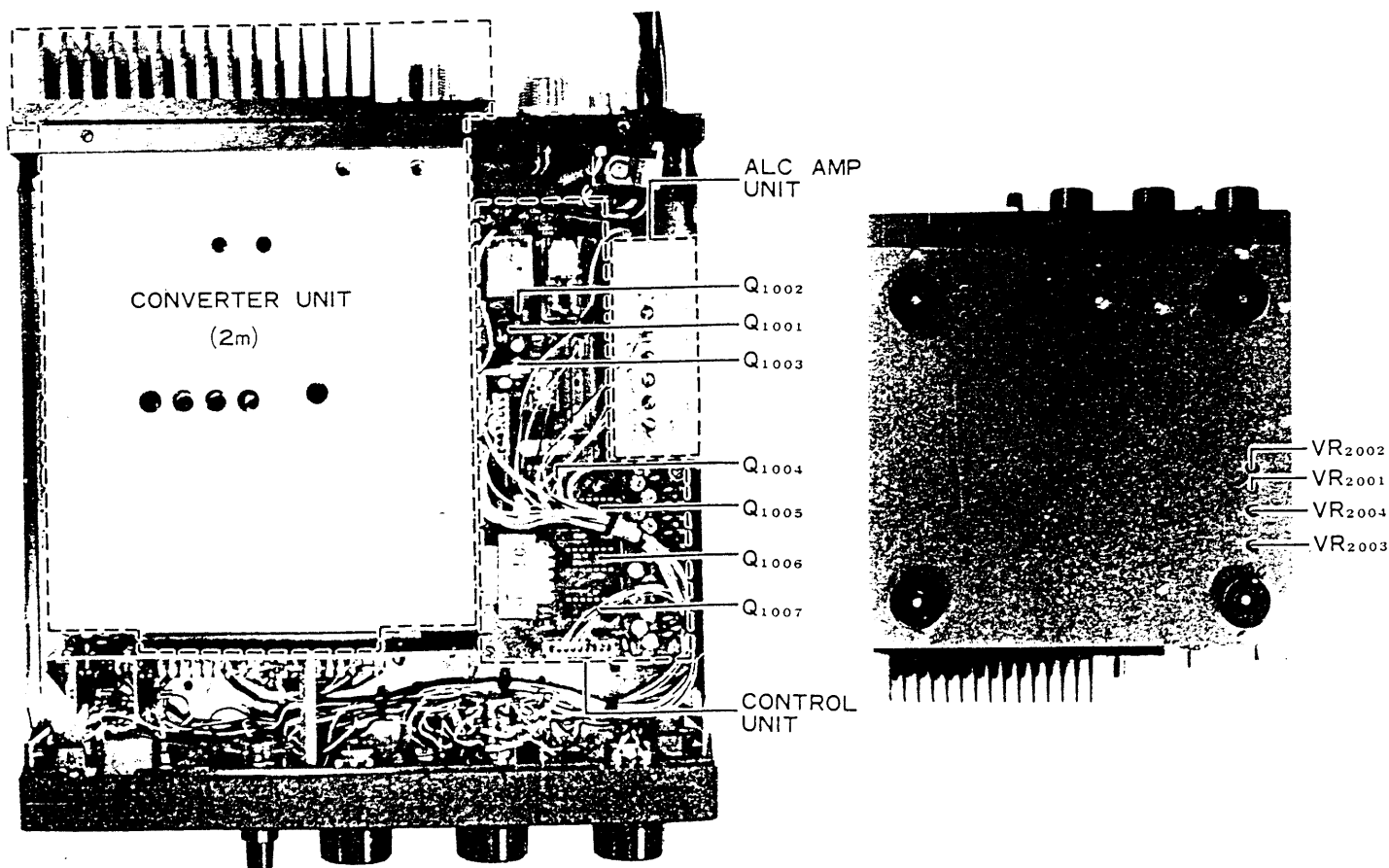
The FTV-707 has been carefully aligned and tested at the factory prior to shipment. With normal use, if the unit is not abused, the FTV-707 will provide many years of trouble-free operation.

Sudden difficulties are usually the result of part failures, rather than alignment problems. Therefore, alignment should not be undertaken unless the operation of the transverter is completely understood, the fault has been thoroughly diagnosed, and the trouble has been definitely traced to misalignment rather than part failure. Attempts to align this equipment by other than an experienced technician are discouraged.

For alignment purposes, a VTVM with RF probe good to 450 MHz is required. Also, a signal generator good to 450 MHz, and a frequency counter good to 250 MHz are required. A dummy load and wattmeter good to 450 MHz are also required.

ALC AMP UNIT (PB-2294)

1. Connect a 1/2 watt 50 ohm resistor to the output terminal of the ALC AMP Unit. Set the METER switch to the ALC position, and the ALC switch to the SSB/CW mode.
2. Connect the RF probe of a VTVM to the input terminal of the ALC AMP Unit.
3. Adjust the CAR control on the FT-707 front panel so that the VTVM shows 0.22V (rms).
4. Now remove the RF probe from the ALC AMP Unit input terminal and place it on the output terminal of the same unit. Note that this terminal is temporarily terminated by a 50 ohm resistor.
5. Adjust T_{2001} for maximum deflection on the VTVM, and then adjust VR_{2001} to the point where the VTVM reading is 0.11V (rms).
6. Adjust VR_{2004} so that the ALC meter deflects to the full-scale on position, then return to the receive condition and adjust VR_{2002} so that the ALC meter indicates exactly zero.



50 MHz UNIT

1. Local oscillator circuit

- (1) Connect the DC voltmeter to pin 2 of the edge connector for the 50 MHz unit. Confirm that 11 volts are present, with the BAND switch set to 0 (50–52 MHz). Switch to 2 (52–54 MHz), and check for 11 volts at pin 3 of the edge connector.
- (2) Connect the RF probe of the VTVM to the LOCAL OUT terminal. Confirm that the unit is oscillating.
- (3) Connect a frequency counter to the LOCAL OUT terminal. Set the BAND switch to 0 (50–52 MHz), set the SHIFT switch to SIMP, and adjust TC₂₀₂ for a reading of exactly 22.0 MHz. Switch to 2 (52–54 MHz), and adjust TC₂₀₃ for a reading of 24.0 MHz.

2. Receiver section

- (1) Set the HF transceiver up for operation on 29 MHz.
- (2) Connect the DC voltmeter to pin 19 of the edge connector, set the BAND switch to 0 (50–52 MHz), then 2 (52–54 MHz), and confirm that 13.5 volts is present.
- (3) Connect the DC voltmeter to pin 15 of the edge connector, and rotate the FTV-707 RF GAIN control fully counterclockwise. The voltmeter reading should be 0 volts. In the fully clockwise position, it should be 11 volts. After confirming these voltages, please leave the level at maximum gain.
- (4) Connect the DC voltmeter to pin 13 of the edge connector, and set the FTV-707 TUNE control to the center position (12 o'clock). With the BAND switch in the 0 (50–52 MHz) position, adjust VR₁₀₀₁ for a reading of 4 volts. Switch to 2 (52–54 MHz), and adjust VR₁₀₀₂ for a reading of 4 volts.
- (5) Connect a signal generator to the 50 MHz ANT jack, and set the FTV-707 BAND switch to 0 (50–52 MHz). Set the signal generator to 51 MHz, and tune the receiver to its output. Peak T₂₀₆, T₂₀₇, T₂₀₈, and T₂₀₉ for a maximum reading on the HF transceiver S-meter. Reduce the signal generator output, if necessary, to secure easy viewing of the peak point. Switch to the 2 (52–54 MHz) band, set the signal generator output to 53

MHz. and repeak these transformers again while tuned to the generator frequency. Then recheck the results at 51 MHz.

3. Transmitter section

- (1) Connect a dummy load/wattmeter to the 50 MHz ANT jack. Set VR₂₀₂ and VR₂₀₃ fully counterclockwise. Set the FT-707 CAR control to the center of its range (12 o'clock). Set the BAND switch to 0 (50–52 MHz).
- (2) Connect the RF probe of the VTVM to the collector of Q₂₀₃. While transmitting, peak T₂₀₁, T₂₀₂, T₂₀₃, T₂₀₄, and T₂₀₅ for a maximum reading on the VTVM (0.4 volts RMS nom.).
- (3) Connect the RF probe to terminal A (TX OUT) on the 50 MHz unit. Peak TC₂₀₁ and L₂₀₅ for a maximum reading on the VTVM (4 volts RMS nom.).
- (4) While transmitting, peak TC₃₀₁, TC₃₀₂, TC₃₀₃, TC₃₀₄, and TC₃₀₅ for a maximum power output indication on the wattmeter.
- (5) Repeat steps (2) through (4) on the 2 (52–54 MHz) band. Then recheck the results at 0 (50–52 MHz).
- (6) Set the FTV-707 meter switch to the OUTPUT position, and set the transceiver CAR control for an output of 10 watts from the transverter. Set VR₃₀₂ for a reading of .8 on the FTV-707 meter.
- (7) Beginning at zero drive, gradually increase the transceiver CAR control until the output from the transverter does not increase more. Do not exceed this level.
- (8) Rotate VR₂₀₂ slowly clockwise, until an output of 10 watts is secured across the 50–54 MHz range.
- (9) Set VR₂₀₃ fully clockwise.
- (10) While transmitting, rotate VR₃₀₁ to secure maximum power output on the wattmeter.
- (11) Now rotate VR₂₀₃ fully counterclockwise. While transmitting, rotate VR₂₀₃ slowly clockwise, until the power output just begins to fall off. Do not go past the threshold point.
- (12) Remove the dummy load from the antenna jack. While transmitting, confirm that the FTV-707 meter indicates .2 with no load applied. If not, check the AFP circuit for malfunctioning parts.

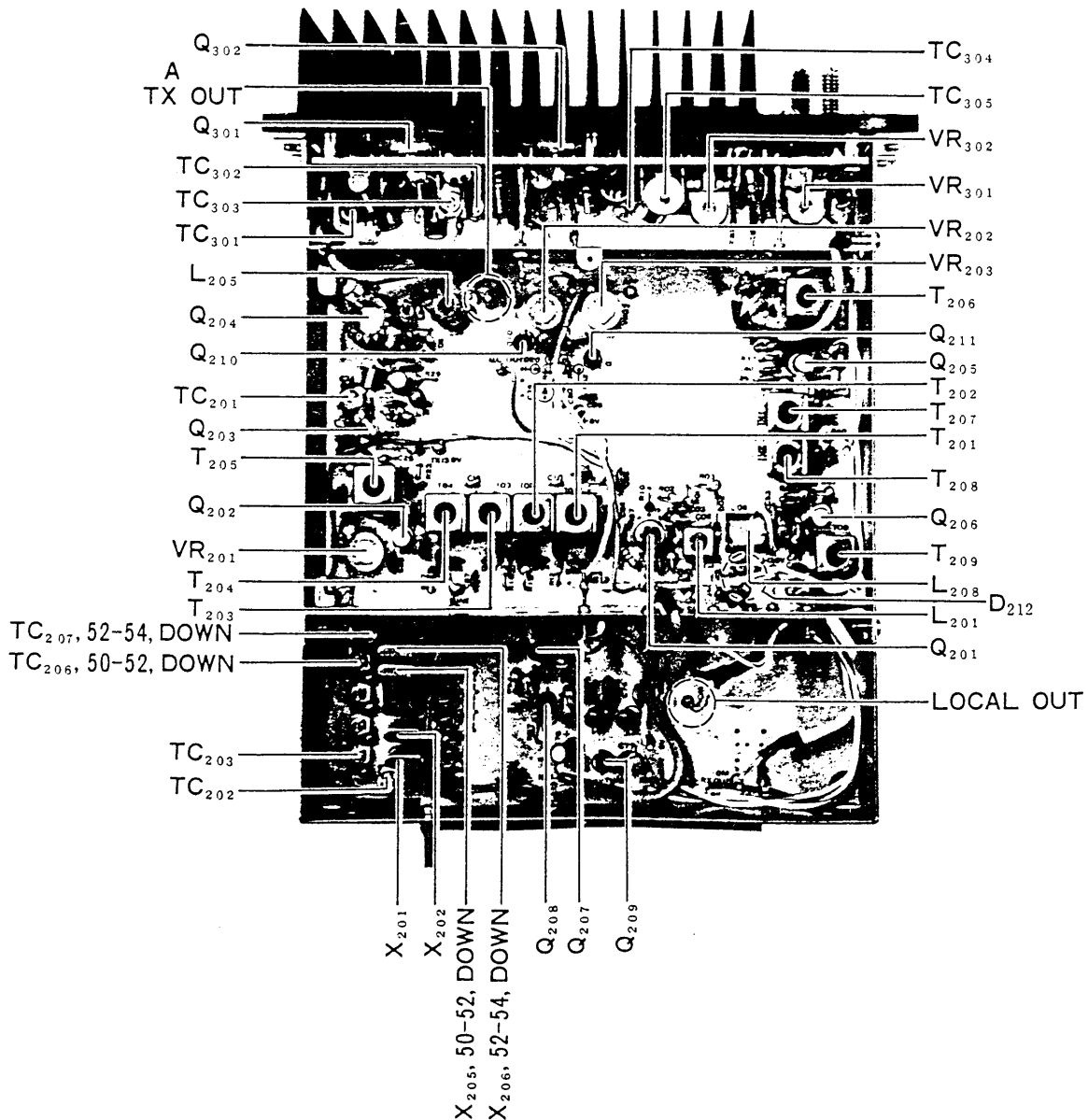
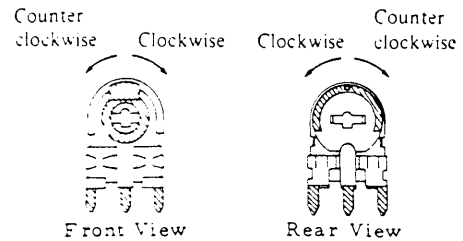
(13) Connect the RF probe of the VTVM to the LOCAL OUT terminal. Set the BAND switch to 0 (50-52 MHz), then switch the SHIFT switch to DOWN. Confirm that oscillation is taking place. Repeat on 2 (52-54 MHz).

(14) Connect the frequency counter to the LOCAL OUT terminal. Adjust TC₂₀₄ - TC₂₀₆ as shown in the chart below.

(15) Set the TUNE control to the center of its range. Adjust the potentiometers for maximum power output while transmitting into the dummy load, as shown in the chart below.

BAND SWITCH	SHIFT SWITCH	ADJUST	RESULT
0	50-52	DOWN	VR ₁₀₀₉
2	52-54	DOWN	VR ₁₀₁₀

BAND SWITCH	SHIFT SWITCH	ADJUST	FREQUENCY
0	50-52	DOWN	TC ₂₀₆ 21.0 MHz
2	52-54	DOWN	TC ₂₀₇ 23.0 MHz



144 MHz UNIT

1. Local oscillator circuit

- (1) Connect the DC voltmeter to pin 2 of the edge connector for the 144 MHz unit. Confirm that 11 volts is present, with the BAND switch set to 4 (144–146 MHz). Switch to 6 (146–148 MHz), and check for 11 volts at pin 3 of the edge connector.
- (2) Connect the RF probe of the VTVM to the LOCAL OUT terminal. Adjust T_{607} and T_{608} for a reading of 0.15 V RMS on the VTVM.
- (3) Connect a frequency counter to the LOCAL OUT terminal. Set the BAND switch to 4 (144–146 MHz), set the SHIFT switch to SIMP, and adjust TC_{606} for a reading of exactly 116.0 MHz. Switch to 6 (146–148 MHz), and adjust TC_{607} for a reading of 118.0 MHz.

2. Receiver section

- (1) Set the HF transceiver up for operation on 29 MHz.
- (2) Connect the DC voltmeter to pin 19 of the edge connector, set the BAND switch to 4 (144–146 MHz), then 6 (146–148 MHz), and confirm that 13.5 volts is present.
- (3) Connect the DC voltmeter to pin 15 of the edge connector, and rotate the FTV-707 RF GAIN control fully counterclockwise. The voltmeter reading should be 0 volts. In the fully clockwise position, it should be 11 volts. After confirming these voltages, please leave the level at maximum gain.
- (4) Connect the DC voltmeter to pin 13 of the edge connector, and set the FTV-707 TUNE control to the center position (12 o'clock). With the BAND switch in the 4 (144–146 MHz) position, adjust VR_{1003} for a reading of 4 volts. Switch to 6 (146–148 MHz), and adjust VR_{1004} for a reading of 4 volts.
- (5) Connect a signal generator to the 144 MHz ANT jack, and set the FTV-707 BAND switch to 4 (144–146 MHz). Set the signal generator to 145 MHz, and tune the receiver to its output. Peak TC_{1001} – TC_{1004} and T_{604} – T_{606} for a maximum reading on the HF transceiver S-meter.

Reduce the signal generator output, if necessary, to secure easy viewing of the peak point. Switch to the 6 (146–148 MHz) band, set the

signal generator output to 147 MHz, and repeak these transformers again while tuned to the generator frequency. Then recheck the results at 145 MHz.

3. Transmitter section

- (1) Connect a dummy load/wattmeter to the 144 MHz ANT jack. Set VR_{601} and VR_{602} fully counterclockwise. Set the HF transceiver CAR control to the center of its range (12 o'clock). Set the BAND switch to 4 (144–146 MHz).
- (2) Connect the RF probe of the VTVM to the collector of Q_{603} . While transmitting, peak T_{601} – T_{603} , TC_{601} , and TC_{602} for a maximum reading on the VTVM (0.9 volts RMS nom.).
- (3) Connect the RF probe to terminal A (TX OUT) on the 144 MHz unit. Peak TC_{604} and TC_{605} for a maximum reading on the VTVM (2.5 volts RMS nom.).
- (4) Repeat steps (2) and (3) on the 6 (146–148 MHz) band. Then recheck the results at 144–146 MHz.
- (5) Set the FTV-707 meter switch to the OUTPUT position, and set the transceiver CAR control for an output of 10 watts from the transverter. Set VR_{702} for a reading of .8 on the FTV-707 meter.
- (6) Beginning at zero drive, gradually increase the transceiver CAR control until the output from the transverter does not increase more. Do not exceed this level.
- (7) Rotate VR_{601} slowly clockwise, until an output of 10 watts is secured across the 144–148 MHz range.
- (8) Rotate VR_{602} fully clockwise.
- (9) While transmitting, rotate VR_{701} to secure maximum power output on the wattmeter.
- (10) Now rotate VR_{602} fully counterclockwise. While transmitting, slowly rotate VR_{602} clockwise, until the power output just begins to fall off. Do not go past the threshold point.
- (11) Remove the dummy load from the antenna jack. While transmitting, confirm that the FTV-707 meter indicates .2 with no load applied. If not, check the AFP circuit for malfunctioning parts.
- (12) Connect the RF probe of the VTVM to the LOCAL OUT terminal. Set the BAND switch to 4 (144–146 MHz), then switch the SHIFT

switch to UP and DOWN. Confirm that oscillation is taking place. Repeat on 146-148 MHz.

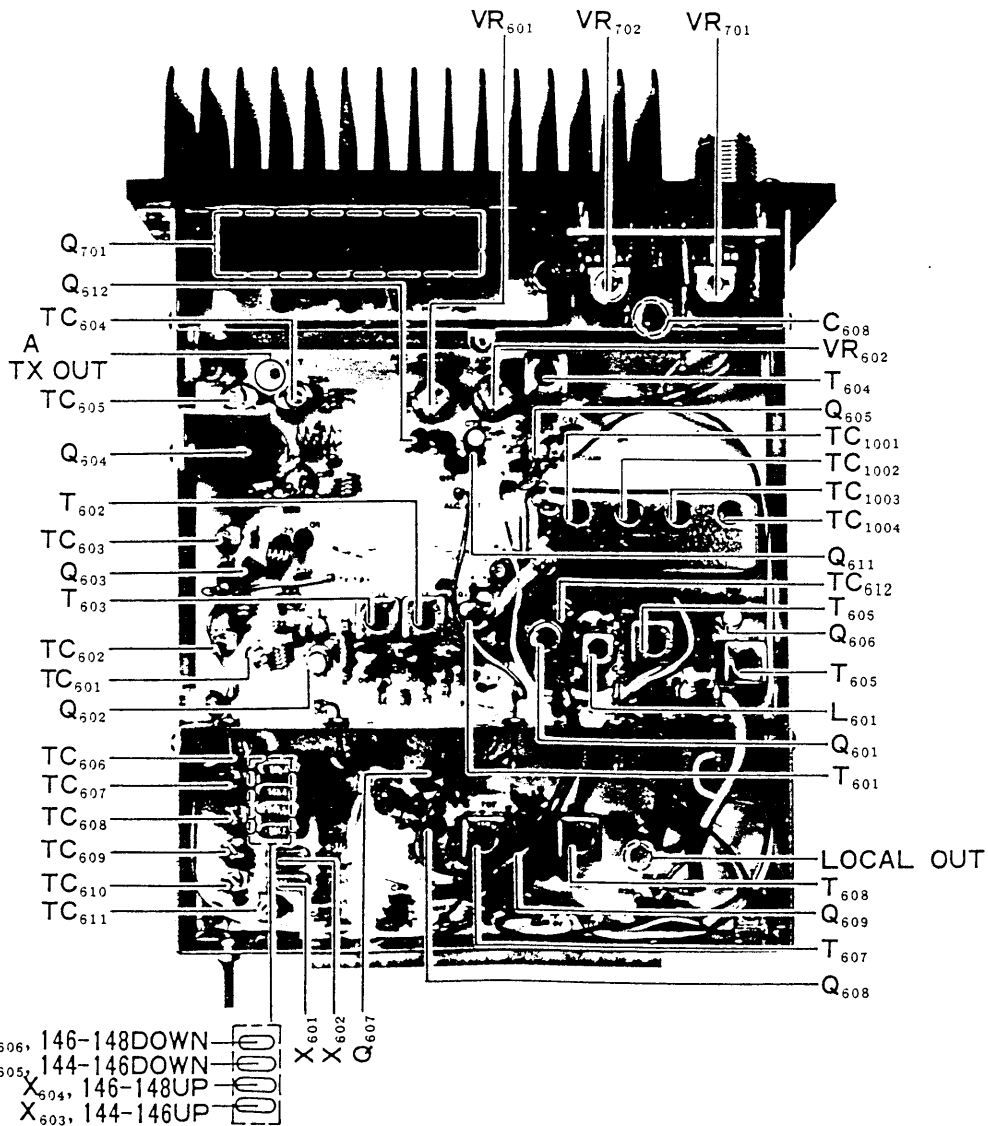
(13) Connect the frequency counter to the LOCAL OUT terminal. Adjust TC_{608} - TC_{611} as shown in the chart below.

BAND SWITCH	SHIFT SWITCH	ADJUST	FREQUENCY
4	144-146	UP	TC_{608} 116.6 MHz
		DOWN	TC_{610} 115.4 MHz
6	146-148	UP	TC_{609} 118.6 MHz
		DOWN	TC_{611} 117.4 MHz

(14) Set the TUNE control to the center of its range. Adjust the potentiometers for maximum power output while transmitting into the dummy load, as shown in the chart below.

BAND SWITCH	SHIFT SWITCH	ADJUST	RESULT
4	144-146	UP	VR_{1007}
		DOWN	VR_{1011}
6	146-148	UP	VR_{1008}
		DOWN	VR_{1012}

(15) Adjust T_{607} and T_{608} for identical power output with the SHIFT switch in the UP and DOWN position.



430 MHz UNIT

1. Local oscillator circuit

- (1) Connect a DC voltmeter to pin 2 of the edge connector for the 430 MHz unit. Set the BAND switch to 0 (430–432 MHz), and confirm that 11 volts is present. In turn, check pins 3, 4, 5, and 6 for 11 volts, while switched to the 2 (432–434 MHz), 4 (434–436 MHz), 6 (436–438 MHz), and 8 (438–440 MHz) bands, respectively.
- (2) Connect the RF probe of the VTVM to TP₁, and adjust L₁₆₀₂, T₁₆₀₁, and T₁₆₀₂ for maximum indication on the VTVM.
- (3) Connect the frequency counter to TP₁. Refer to the chart below, and adjust TC₁₆₀₁–TC₁₆₀₅ for local output readings as shown for the various positions of the BAND switch.

BAND	TRIMMER	FREQ.
0 (430–432 MHz)	TC ₁₆₀₁	201 MHz
2 (432–434 MHz)	TC ₁₆₀₂	202 MHz
4 (434–436 MHz)	TC ₁₆₀₃	203 MHz
6 (436–438 MHz)	TC ₁₆₀₄	204 MHz
8 (438–440 MHz)	TC ₁₆₀₅	205 MHz

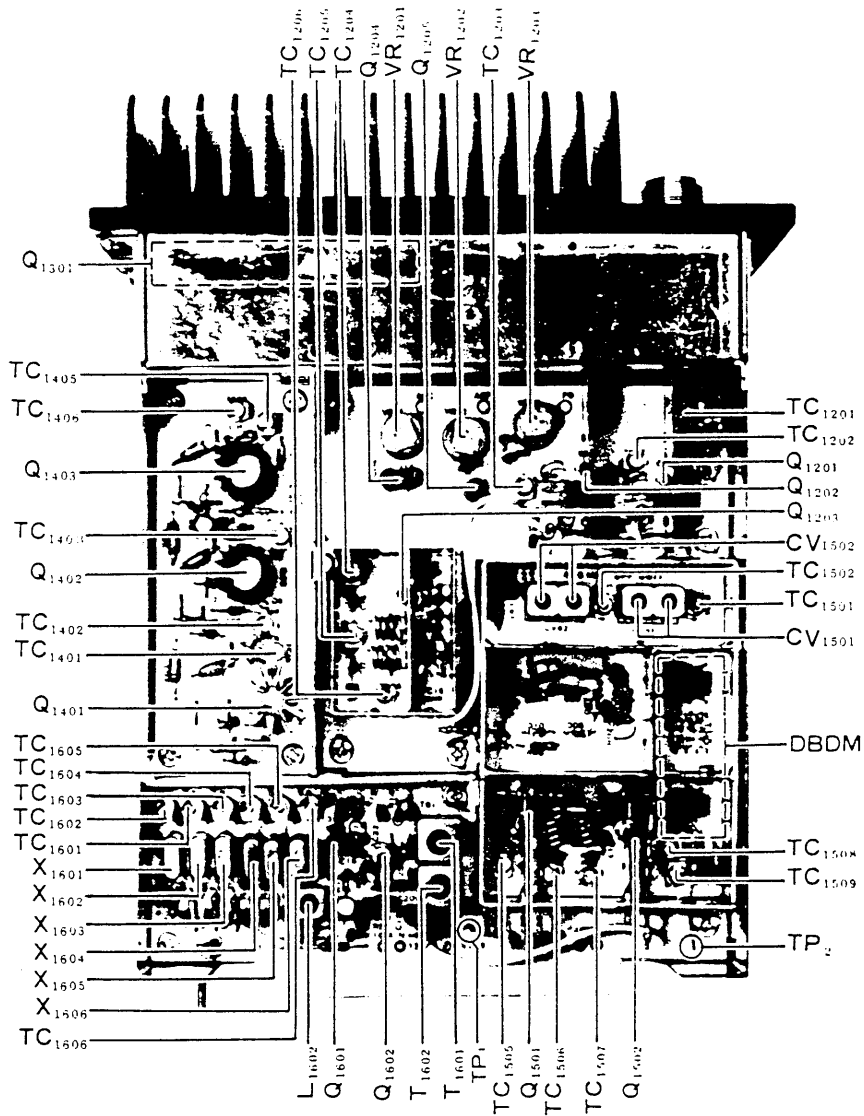
- (4) Connect the DC voltmeter to TP₂, and adjust TC₁₅₀₅–TC₁₅₀₉ for maximum indication on the voltmeter (1 volt nom.).

2. Receiver section

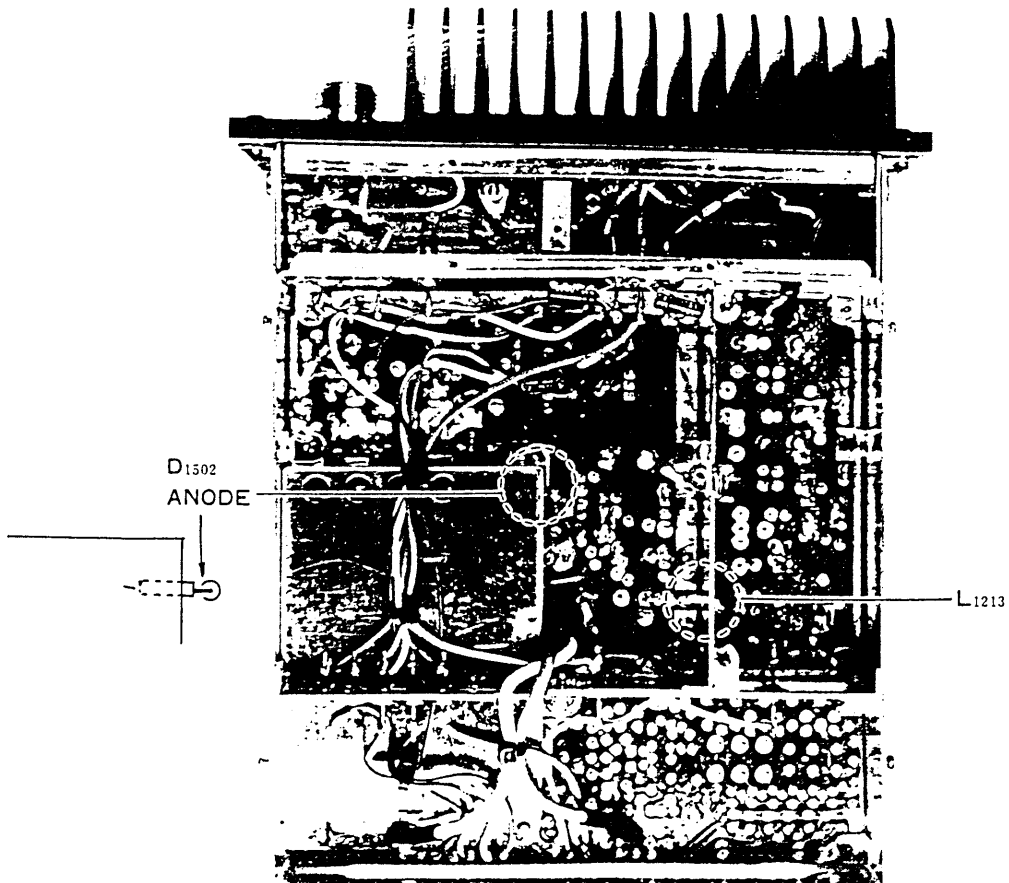
- (1) Set the transceiver up for operation on 29 MHz.
- (2) Connect the DC voltmeter to pin 19 of the edge connector, and check for 13.5 volts at each position of the BAND switch over 0–8 (430–440 MHz).
- (3) Connect the signal generator to the 430 MHz ANT jack, set its output to 431 MHz, and tune the receiver to the generator signal. Adjust TC₁₂₀₁–TC₁₂₀₃, TC₁₅₀₁–TC₁₅₀₄, and CV₁₅₀₁/CV₁₅₀₂ for a maximum S-meter indication on the HF transceiver. Repeat on 433 MHz, 435 MHz, 437 MHz, and 439 MHz. Recheck the results to ensure maximum response across the entire operating range.

3. Transmitter section

- (1) Connect the dummy load/wattmeter to the 430 MHz ANT jack. Set VR₁₂₀₁ and VR₁₂₀₂ fully counterclockwise. Set the transceiver CAR control to the center of its range (12 o'clock position).
- (2) Connect the RF probe of the VTVM to the anode of D₁₅₀₂. Peak TC₁₅₀₁–TC₁₅₀₄ and CV₁₅₀₁/CV₁₅₀₂ for a maximum indication on the VTVM while transmitting.
- (3) Connect the RF probe of the VTVM to the hot side of L₁₂₁₃. Peak TC₁₂₀₄–TC₁₂₀₆ for a maximum indication on the VTVM while transmitting.
- (4) Connect the RF probe of the VTVM to terminal A (TX OUT) on the 430 MHz unit. Peak TC₁₄₀₁–TC₁₄₀₆ for a maximum indication on the VTVM.
- (5) Confirm the results in steps (2) through (4) on the wattmeter.
- (6) Repeat the points in steps (2) through (5) on each position of the BAND switch, then recheck the results to ensure maximum performance over the entire range 430–440 MHz.
- (7) Set the meter switch to OUTPUT. Set the transceiver CAR control for an output of 10 watts. Adjust VR₁₂₀₃ for an indication of .8 on the FTV-707 meter.
- (8) Beginning at zero drive, increase the level of the CAR control on the transceiver until the transverter power output does not increase further.
- (9) Advance VR₁₂₀₁ slowly clockwise until equal power output is achieved across the 430–440 MHz range.
- (10) Rotate VR₁₂₀₂ fully clockwise.
- (11) While transmitting, rotate VR₁₃₀₁ to secure maximum power output on the wattmeter.
- (12) Now rotate VR₁₂₀₂ fully clockwise. While transmitting, slowly rotate VR₁₂₀₂ counterclockwise, until the power output just begins to fall off. Do not go past the threshold point.
- (13) Remove the dummy load from the 430 MHz ANT jack. While transmitting, check to be sure that the FTV-707 meter indicates .2 with no load applied. If not, check the AFP unit for malfunctioning parts.



For Service Manuals
MAURITRON SERVICES
 8 Cherry Tree Road, Chinnor
 Oxfordshire, OX9 4QY.
 Tel (01844) 351694
 Fax (01844) 352554
 email:- sales@mauritron.co.uk



PARTS LIST

MAIN CHASSIS			R1006	J02245102	Carbon film 1/4W SJ 1kΩ
Symbol No.	Part No.	Description	R1001,1002,1004,1005	J02245103	" " " " 10kΩ
		DIODE			
D01-05	G2015550	Si 1S1555	R1008-1013	J02245104	" " " " 100kΩ
		POTENTIOMETER			POTENTIOMETER
VR02	J60800048	VM10A573A-50KB 50kΩB	VR1001-1012	J51745473	H0651A 47kΩB
VR01	J60800047	VM10A573A-100KB 100kΩB			
		CAPACITOR			CAPACITOR
			C1001	K02179001	Ceramic disc 50WV NPO 1pF (DD104CH010C50V02)
C01	K40149005	Electrolytic 25WV T 1000μF (25RE1000)	C1002,1003,1007,1009-1022	K14170103	" " " " 0.01μF (DB201ZF103Z5L5)
			C1023	K13170473	" " " " 0.047μF (DB207YF473Z5L5)
		METER			
M01	M0290026	AP-80	C1004-1006	K40129004	Electrolytic 16WV 10μF (16RE10)
			C1008	K40129001	" " " 330μF (16RE330)
		SWITCH			
J01,02	P1090194	FM-MR-M2'			
J03	P1090133	STR01H			
J04	P0090026	QS-1B4M			AF CHOKE
			L1001	L2030019	
		MULTI JACK			
MJ01	P4090011	3305-022-011			RELAY
			RL1001	M1190006	FBR221D012
			RL1002	M1190029	FBR621D012
		PLUG	RL1003	M1190030	FBR111D012D
P01 (with wire)	T9204251	QSP4FK			
					CONNECTOR
		CONNECTOR	J1001	P0090224	5045-08A
P02 (with wire)	T9204255	5102-08	J1002	P0090225	5045-09A
P03 (with wire)	T9204254	5102-09			
					TERMINAL POST
				Q5000036	TP-G
				Q5000038	TP-I
CONTROL UNIT					
Symbol No.	Part No.	Description			DC FUSE
PB-2290A	F0002290A	Printed Circuit Board	F1001	Q0000005	5A
	C0022900	P.C.B. with components			
					DC FUSE HOLDER
		IC & TRANSISTOR	FH1001	P2000003	F-3265
Q1001,1002	G3318150G	Transistor 2SC1815GR			
Q1004	G3318150Y	" 2SC1815Y			
Q1005-1007	G1090257	IC MC14066BP			
Q1003	G1090294	" μPC14308			
			ALC AMP UNIT		
		DIODE	Symbol No.	Part No.	Description
D1001-1005, 1009-1020	G2015550	Si 1S1555	PB-2294A	F0002294A	Printed Circuit Board
				C0022940	P.C.B. with components
D1006,1007	G2090001	" 10D1			
D1008	G2090012	Zener WZ110			
					FET
			Q2002	G3090035	2SK19TM-GR
		RESISTOR	Q2001	G4800590Y	3SK59Y
R1007	J31336470	Metallic film 2W 47Ω			
R1003	J02245101	Carbon film 1/4W SJ 100Ω			

For Service Manuals
MAURITRON SERVICES
 8 Cherry Tree Road, Chinnor
 Oxfordshire, OX9 4QY.
 Tel (01844) 351694
 Fax (01844) 352554
 email:- sales@mauritron.co.uk

		TRANSISTOR		DIODE UNIT		
Q2003	G3105641Q	2SA564AQ		Symbol No.	Part No.	Description
				PB-2291	F0002291	Printed Circuit Board
					C0022910	P.C.B. with components
		DIODE				
D2003	Q2015550	Si	1S1555			
D2001	G9090005	Varistor	MV103			DIODE
D2002	G2090009	Zener	WZ081	D3101,3103	G2015550	Si 1S1555
		RESISTOR				RESISTOR
R2001	J02245560	Carbon film	1/4W SJ 56Ω	R3101	J01245562	Carbon film 1/4W TJ 5.6kΩ
R2002	J02245820	" "	" " 82Ω	R3102	J01245683	" " " " 68kΩ
R2006	J02245331	" "	" " 330Ω			
R2007,2015,2017	J02245102	" "	" " 1kΩ			
R2005,2016	J02245152	" "	" " 1.5kΩ			
R2009,2010	J02245562	" "	" " 5.6kΩ			
R2008,2011,2013,2014	J02245103	" "	" " 10kΩ			
				SW UNIT A		
R2003	J02245473	" "	" " 47kΩ	Symbol No.	Part No.	Description
R2004	J02245224	" "	" " 220kΩ	PB-2292	F0002292	Printed Circuit Board
R2012	J02245565	" "	" " 5.6MΩ		C0022920	P.C.B. with components
		POTENTIOMETER				SWITCH
VR2001	J50702501	EVL-S0AA00B52	500ΩB	S3201	N4090034	SUT31A
VR2004	J50702202	EVL-S0AA00B23	2kΩB			
VR2003	J50702203	EVL-S0AA00B24	20kΩB			
VR2002	J50702503	EVL-S0AA00B54	50kΩB			
		CAPACITOR		SW UNIT B		
C2009	K02175180	Ceramic disc	50WV NPO 18pF (DD104CH180J50V02)	Symbol No.	Part No.	Description
				PB-2293	F0002293	Printed Circuit Board
C2001,2003,2012	K02179019	" "	" " 91pF (DD107CH910J50V02)		C0022930	P.C.B. with components
C2010	K02179020	" "	" " 110pF (DD108CH111J50V02)			LED
C2002,2011	K02179023	" "	" " 180pF (DD110CH181J50V02)	D3301	G2090134	TLY-25
C2004-2008,2014,2017,2024	K14170103	" "	" " 0.01μF (DD106FZ103Z50V02)			RESISTOR
C2013	K70167104	Tantalum	35WV 0.1μF (CS15E1V0R1M1S)	R3301	J02245152	Carbon film 1/4W SJ 1.5kΩ
C2015,2016	K40129004	Electrolytic	16WV 10μF (16RE10)			SWITCH
C2018-2023	K21170002	Feed through	50WV 0.001μF (ECK-Y1H102WE)	S3301	N4090035	SUT12A
		INDUCTOR				
L2001,2002,2005,2006	L0020535					
				ACCESSORIES		
L2003,2004	L1190029	FL5H-470K		Symbol No.	Part No.	Description
					T9100071A	Connection cable A
					T9100160A	" " B
					T9101272	Speaker cord
T2001	L0020180	R12-4434			R6052652	Spacer
	Q5000011	Wrapping terminal C			Q0000005	Spare Fuse 5A
	Q4000001	Hermetic seal				

50 MHz UNIT (OPTION)			R256	J00245823	Carbon film 1/4W VJ 82k Ω
Symbol No.	Part No.	Description	R212,213, 215-217,220, 239,240	J00245104	" " " " 100k Ω
	C0019220	50MHz UNIT			
			R222,233	J01245104	" " " TJ 100k Ω
***** MAIN CHASSIS *****			R218	J00245224	" " " VJ 220k Ω
C101-106, 108-114	K21170002	Ceramic Feed Thru 0.001 μ F (ECK-Y1H102WE)	R264	J01245334	" " " TJ 330k Ω
			R236	J00245564	" " " VJ 560k Ω
			R265	J00245335	" " " " 3.3M Ω
					POTENTIOMETER
			VR201-203	J51723473	SR19RS 47k Ω B
***** 50 MHz CONVERTER MAIN BOARD *****					
	F0001922	Printed Circuit Board			
	C9019220	PCB with Components			CAPACITOR
			C213,245	K00179001	Ceramic disc 50WV SL 0.5pF (DD104SL0R5C50V02)
		IC, FET, TRANSISTOR	C222,242	K02279001	" " " CH 1pF (ECC-D2H010DC)
Q201	G1090061	IC MC1496G	C211,215,218,236, 243,278	K02172050	" " " " 5pF (DD104CH050C50V02)
Q209	G1090123	" 78L08	C203,210	K00173100	" " " SL 10pF (DD104SL100D50V02)
Q202,205,206	G4800510C	FET 3SK51-03	C237,247,251	K02173100	" " " CH 10pF (DD104CH100D50V02)
Q203	G3320530	Transistor 2SC2053	C249	K02175150	" " " " 15pF (DD104CH150J50V02)
Q204	G3307300	" 2SC730	C228	K00175180	" " " SL 18pF (DD104SL180J50V02)
Q207,208	G3307840R	" 2SC784R	C216	K00179005	" " " " 20pF (DD104SL200J50V02)
Q210,211	G3318150Y	" 2SC1815Y	C219	K00175220	" " " " 22pF (DD104SL220J50V02)
			C260-265,269	K02179009	" " " CH 22pF (DD104CH220J50V02)
		DIODE		K00175330	" " " SL 33pF (DD104SL330J50V02)
D201,202,212,213	G2090027	Silicon 1SS53	C204,233,234	K00175470	" " " " 47pF (DD104SL470J50V02)
D208,214-219, 221	G2015550	" 1S1555	C212,214,217,250, 246	K02175470	" " " CH 47pF (DD106CH470J50V02)
D203-207, 209-211	G2022090	Varactor 1S2209	C223,235,238,241, 244	K06175470	" " " UJ 47pF (ECC-D1H470JU2)
		CRYSTAL	C201,202	K00179013	" " " SL 91pF (DD104SL910J50V02)
X201	H0101330	HC-18/U 22.0MHz	C225,273,275	K00175101	" " " " 100pF (DD105SL101J50V02)
X202	H0101340	" 24.0MHz	C207,208,267,268	K02175101	" " " CH 100pF (DD107CH101J50V02)
X206	H0101360	" 23.0MHz		K00175121	" " " SL 120pF (DD105SL121J50V02)
X205	H0101350	" 21.0MHz	C274	K00179019	" " " " 200pF (DD106SL201J50V02)
		CRYSTAL SOCKET	C232,252,266	K12171102	" " " " 0.001 μ F (DD105E102P50V02)
XS201	P3090029	S-14-4P	C205,206,209,220, 221,224,226,227, 230,231,239,240, 248,253-259, 270-272, 283-288,292	K14170103	" " " " 0.01 μ F (DD106FZ103Z50V02)
		RESISTOR	C291	K50177682	Mylar 50WV 0.0068 μ F (50F2U682M)
R226	J00245100	Carbon film 1/4W VJ 10 Ω	C229,276,277,290	K40120106	Electrolytic 16WV 10 μ F (16RL10)
R207,230	J00245560	" " " " 56 Ω			
R204,209,211,214, 223,255,258	J00245101	" " " " 100 Ω			
R221,237,243	J00245221	" " " " 220 Ω			
R224	J00245271	" " " " 270 Ω			
R202,254	J00245471	" " " " 470 Ω			
R205	J01245821	" " " TJ 820 Ω			
R201,203,208,238, 244,251,257,259	J00245102	" " " VJ 1k Ω			
R229	J00245122	" " " " 1.2k Ω			
R206,245-250	J00245152	" " " " 1.5k Ω			
R225	J00245332	" " " " 3.3k Ω			
R210,252,253	J00245103	" " " " 10k Ω			
R235	J00245223	" " " " 22k Ω			
R219	J00245393	" " " " 39k Ω			
R241,242	J00245473	" " " " 47k Ω			

		TRIMMER CAPACITOR	VR302	J50702103	EVL-S0AA00B14	10kΩB
TC201-207	K91000029	ECV1ZW 20 x 53N 20pF				
					CAPACITOR	
		TRANSFORMER	C334	K00179001	Ceramic disc 50WV SL 0.5pF (DD104SL0R5C50V02)	
T201-208	L0020408					
T209	L0020166	R12-4180	C316,335	K00172010	" " " " 1pF (DD104SL010C50V02)	
			C310,315	K00172050	" " " " 5pF (DD104SL050C50V02)	
		INDUCTOR				
L211,212	L1190004	FL4H-R68M 0.68μH	C302	K00179005	" " " " 20pF (DD104SL200J50V02)	
L214	L1190009	FL4H-3R3M 3.3μH				
L207,209	L1190013	FL4H-6R8K 6.8μH	C301,317	K00175330	" " " " 33pF (DD104SL330J50V02)	
L213	L1190014	FL4H-100K 10μH				
L210	L1190017	FL5H-102K 1mH	C307	K00175390	" " " " 39pF (DD104SL390J50V02)	
L208	L0020209					
L202,204,206	L1020324		C320,329	K00175470	" " " " 47pF (DD104SL470J50V02)	
L203	L0020416A					
L201	L0020535		C323	K00179011	" " " " 62pF (DD104SL620J50V02)	
L205	L0190003	IFT-51S10-H3				
			C314,324	K00175820	" " " " 82pF (DD104SL820J50V02)	
		FERRITE BEADS	C321,328	K00175101	" " " " 100pF (DD105SL101J50V02)	
	L9190001	Ri 3 x 3-1				
			C319	K00175121	" " " " 120pF (DD105SL121J50V02)	
	Q5000025	Wrapping terminal A				
			C304,306,309,311, 313,318,326,327, 331,333	K14170103	" " " " 0.01μF (DD106FZ103Z50V02)	
		HEAT SINK				
	R5047915B	T0-5, L = 20 mm	C303,305,308,312, 330,332	K40120226	Electrolytic 16WV TW 22μF (16RL22)	
					INDUCTOR	
			L314	L1190003	EL0710-100K	10μH
			L304,313	L0020196		
		***** 50 MHz BOOSTER BOARD *****	L302,305	L0020324		
PB-1923B	F0001923B	Printed circuit board	L301	L0020527		
	C9019230A	PCB with components	L303,306	L0020528		
			L307	L0020529		
		TRANSISTOR	L308-310,312	L0020530		
Q301	G3321660	Transistor 2SC2166	L311	L0020584		
Q302	G3319450D	" 2SC1945D				
					TRIMMER CAPACITOR	
		DIODE	TC301	K91000020	ECV-1ZW 20 x 40N 20pF	
D301,302,308	G2090001	Silicon 10D1	TC302,303	K91000023	ECV-1ZW 50 x 40N 50pF	
D307	G2001880F	Germanium 1S188FM	TC304,305	K91000058	2222-808-61809 80pF	
D303-306	G2015550	Silicon 1S1555				
					RELAY	
		RESISTOR	RL301	M1190006	FBR-221D012	
R303	J10276560	Carbon composition 1/2W GK 56Ω				
R306	J10276101	" " " " 100Ω			CONNECTOR	
R305	J10276151	" " " " 150Ω	J301	P1090026	SO-239	
R302	J10276221	" " " " 220Ω				
R301,304 (L302,305)	J10276471	" " " " 470Ω		Q5000025	Wrapping terminal A	
R308	J01245102	Carbon film 1/4W TJ 1kΩ		R4050740	Booster heat sink	
R307	J00245103	" " " VJ 10kΩ				
		POTENTIOMETER				
VR301	J50702301	EVL-S0AA00B32 300ΩB				

144 MHz UNIT (OPTION)			R646	J00245331	Carbon film 1/4W VJ 330Ω
Symbol No.	Part No.	Description	R647 (L613)	J10276471	Carbon composition 1/2W GK 470Ω
	C0019250A	144MHz UNIT			
			R665,671	J01245471	Carbon film 1/4W TJ 470Ω
			R650,654,658	J00245471	" " " VJ 470Ω
***** MAIN CHASSIS *****			R602,622	J00245561	" " " " 560Ω
C501-506,508, 509,511-513, 515	K21170002	Ceramic feed thru 0.001μF (ECK-Y1H102WE)	R640-645	J00245681	" " " " 680Ω
			R605	J01245821	" " " TJ 820Ω
C517	K50177103	Mylar 50WV 0.01μF (50F2U103M)	R601,603,607,634, 635,660,672	J00245102	" " " VJ 1kΩ
			R626,637,639	J00245122	" " " " 1.2kΩ
			R606	J00245152	" " " " 1.5kΩ
			R652,656	J00245472	" " " " 4.7kΩ
			R623	J01245682	" " " TJ 6.8kΩ
			R610,657,666,670	J00245103	" " " VJ 10kΩ
			R618,619,628,653	J00245223	" " " " 22kΩ
***** 144 MHz CONVERTER MAIN BOARD *****			R667	J00245273	" " " " 27kΩ
PB-1925A	F0001925A	Printed circuit board	R617,631,632	J00245473	" " " " 47kΩ
	C9019250A	PCB with components	R612,613,615,616, 636	J00245104	" " " " 100kΩ
			R668	J01245334	" " " TJ 330kΩ
		IC, FET, TRANSISTOR	R627	J00245564	" " " VJ 560kΩ
Q601	G1090061	IC MC-1496G	R669	J01245225	" " " TJ 2.2MΩ
Q610	G1090123	" 78L08			
Q602,605,606	G4800510C	FET 3SK51-03			
Q604	G3307300	Transistor 2SC730			POTENTIOMETER
Q607-609	G3307840R	" 2SC784R	VR601	J51723472	SR19RS 4.7kΩB
Q611,612	G3318150Y	" 2SC1815Y	VR602	J51723473	SR19RS 47kΩB
Q603	G3320530	" 2SC2053			
					CAPACITOR
		DIODE	C614	K00179001	Ceramic disc 50WV SL 0.5pF (DD104SL0R5C50V02)
D601,606,607, 609-614,616	G2090027	Silicon 1S553	C609	K02179001	" " " CH 1pF (DD104CK010C50V02)
D605,617,618	G2015550	" 1S1555	C612,616	K02179003	" " " " 2pF (DD104CK020C50V02)
D602-604,608	G2022090	Varactor 1S2209	C613,615	K06172040	" " " UJ 4pF (ECC-D1H040CU)
		CRYSTAL	C611,617	K00172050	" " " SL 5pF (DD104SL050C50V02)
X601	H0101380	HC-18/U 38.6666MHz	C641	K02172050	" " " CH 5pF (DD104CH050C50V02)
X602	H0101390	" 39.3333MHz	C642	K06172050	" " " UJ 5pF (ECC-D1H050CU)
X603	H0101400	HC-25/U (600kHz SHIFT) 38.8666MHz	C608,610	K06173080	" " " " 8pF (DD104UJ080D50V02)
X604	H0101420	" (" ") 39.5333MHz	C604,637	K00713100	" " " SL 10pF (DD104SL100D50V02)
X605	H0101410	" (" ") 38.4666MHz	C631,632,664,668	K02173100	" " " CH 10pF (DD104CH100D50V02)
X606	H0101430	" (" ") 39.1333MHz	C650-655	K02175150	" " " " 15pF (DD104CH150J50V02)
X603*	H0101405	HC-25/U (700kHz SHIFT) 38.9000MHz	C639	K00175150	" " " SL 15pF (DD104SL150J50V02)
X604*	H0101406	" (" ") 38.4333MHz	C658	K02175180	" " " CH 18pF (DD104CH180J50V02)
X605*	H0101407	" (" ") 39.5666MHz	C665	K00175220	" " " SL 22pF (DD104SL220J50V02)
X606*	H0101408	" (" ") 39.1000MHz	C626	K00175270	" " " " 27pF (DD104SL270J50V02)
		CRYSTAL SOCKET	C660	K02179011	" " " CH 27pF (DD104CH270J50V02)
XS601	P3090029	S-14-4P	C623	K00175330	" " " SL 33pF (DD104SL330J50V02)
		RESISTOR			
R624	J00245100	Carbon film 1/4W VJ 10Ω			
R638	J00245220	" " " " 22Ω			
R609,620,621,633	J00245560	" " " " 56Ω			
R625	J00245680	" " " " 68Ω			
R604,608,611,614, 651,655,659	J00245101	" " " " 100Ω			
R629	J00245221	" " " " 220Ω			

		***** 144 MHz BOOSTER BOARD *****			
C627	K00175390	Ceramic disc 50WV SL 39pF (DD104SL390J50V02)	PB-1926	F0001926	Printed circuit board
C640	K00175470	" " " " 47pF (DD104SL470J50V02)		C9019260	PCB with components
C656	K02175680	" " " CH 68pF (DD107CH680J50V02)	PB-1927	F0001927	Printed circuit board
				C9019270	PCB with components
C601.602	K00179013	" " " SL 91pF (DD104SL910J50V02)			
C685	K00175101	" " " " 100pF (DD105SL101J50V02)	Q701	G1090216	VP-20BL
C659	K02175102	" " " CH 100pF (DD107CH101J50V02)			
					DIODE
C607,618,619,621, 622,624,625,628, 630,633-635, 643,657,662,663, 667,669,672,673, 678,679	K12171102	" " " 0.001μF (DD105E102P50V02)	D704	G2090001	Silicon 10D1
			D701	G2001880F	Germanium 1S188FM
			D702,703	G2015550	Silicon 1S1555
					RESISTOR
C605,606,636,638, 644-649,661, 680,682-684	K13170103	" " " 0.01μF (DB201YF103Z5L5)	R705	J00245472	Carbon film 1/4W VJ 4.7kΩ
			R701(L701), 704(L704)	J10276471	Carbon composition 1/2W GK 470Ω
C620,629,670,671, 681	K40120106	Electrolytic 16WV TW 10μF (16RL10)	R702(L702), 703(L703)	J10246471	" " 1/4W " 470Ω
		TRIMMER CAPACITOR			
TC601	K91000028	ECV-1ZW 10 x 53N 10pF			POTENTIOMETER
TC602,603, 606-612	K91000029	ECV-1ZW 20 x 53N 20pF	VR701	J50702301	EVL-S0AA00B32 300ΩB
			VR702	J50702103	EVL-S0AA00B14 10kΩB
TC604,605	K91000016	ECV-1ZW 50 x 32N 50pF			
					CAPACITOR
		INDUCTOR	C710,712	K00172010	Ceramic disc 50WV SL 1pF (DD104SL010C50V02)
L605	L1190004	FL4H-R68M 0.68μH	C713	K00172020	" " " " 2pF (DD104SL020C50V02)
L610,612,614	L1190008	FL4H-2R2M 2.2μH			
L611	L1190013	FL4H-6R8K 6.8μH	C708,716,717	K00175150	" " " " 15pF (DD104SL150J50V02)
L606,608	L0020193				
L602	L0020195		C706	K00179005	" " " " 20pF (DD104SL200J50V02)
L603,604,609	L0020196				
L613	L0020206		C707	K00175330	" " " " 33pF (DD104SL330J50V02)
L607	L0020380				
L601	L0020535		C705,711,714,715	K12171102	" " " 0.001μF (DD105E102P50V02)
		TRANSFORMER	C701-704	K40120106	Electrolytic 16WV TV 10μF (16RL10)
T604	L0020105	R12-4091			
T602,603, 606-608	L0020111	R12-4102			
T605	L0020166	R12-4180			INDUCTOR
T601	L0020536		L707	L0020069	
			L701,704	L1020324	
			L706,708	L0020430	
		HEAT SINK	L702,703	L1020469	
	R5047915B	TO-5, L = 20 mm	L705	L0020654	
		FERRITE BEADS			RELAY
	L9190001	Ri 3 x 3-1	RL701	M1190006	FBR-221D012
	Q5000025	Wrapping terminal A			RECEPTACLE
			J701	P1090026	SO-239
				Q5000025	Wrapping terminal A

***** RESONATOR BOARD *****			R1202,1208,1214, 1225	J00245103	Carbon film 1/4W VJ 10kΩ
PB-1800	F0001800	Printed circuit board			
	C9018000	PCB with components			
					POTENTIOMETER
		CAPACITOR	VR1201-1203	J51723473	SR19RS 47kΩB
C1005-1008	K02172050	Ceramic disc 50WV CH 5pF (DD104CH050C50V02)			
C1001-1004	K02175150	" " " " 15pF (DD104CH150J50V02)			CAPACITOR
		TRIMMER CAPACITOR	C1202	K02179001	Ceramic disc 50WV CH 1pF (DD104CK010C50V02)
TC1001-1004	K91000028	ECV-1ZW 10 x 53N 10pF	C1203	K00172030	Ceramic disc 50WV SL 3pF (DD104SL030C50V02)
		INDUCTOR	C1216,1218	K02172050	" " " CH 5pF (DD104CH050C50V02)
L1001	L0020409		C1212	K02179008	" " " " 20pF (DD104CH200J50V02)
	R0044940A	Resonator case	C1201,1221,1229	K12171102	" " " " 0.001μF (DD105E102P50V02)
	Q5000011	Wrapping terminal C	C1204-1211,1213, 1215,1228	K22170001	" " " " 0.001μF (HDC60E102M)
			C1214,1226	K23140001	" chip 25V 0.01μF (GR42Y5V103Z25V)
			C1231	K50177682	Mylar 50WV 0.0068μF (50F2U682M)
			C1230	K40120106	Electrolytic 16WV TW 10μF (16RL10)
430 MHz UNIT (OPTION)					
Symbol No.	Part No.	Description			
	C0019290	430MHz UNIT			
					TRIMMER CAPACITOR
***** MAIN CHASSIS *****			TC1201, 1204-1206	K91000059	ECV-1ZW 04 x 53N 4pF
C1101-1108, 1110-1115	K21170002	Ceramic feed thru 0.001μF (ECK-Y1H102WE)	TC1203	K91000055	ECV-1ZW 06 x 53N 6pF
			TC1202	K91000028	ECV-1ZW 10 x 53N 10pF
					INDUCTOR
			L1214	L1190014	FL4H-100K 10μH
***** 430 MHz RF BOARD *****			L1202,1204,1205, 1207-1209	L1020469	
PB-1929	F0001929	Printed circuit board	L1211,1212	L0020471	
	C9019290	PCB with components	L1203,1206	L0020472	
				L0020474	
		TRANSISTOR	L1201	L0020523	
Q1203	G3314240	Transistor 2SC1424			
Q1204,1205	G3318150Y	" 2SC1815Y		Q5000011	Wrapping terminal C
Q1201,1202	G3323690	" 2SC2369			
		DIODE			
D1203,1205	G2090027	Silicon 1SS53			
D1201	G2015550	" 1S1555			
***** 430 MHz BOOSTER BOARD *****					
			PB-1935B	F0001935B	Printed circuit board
				C9019350B	PCB with components
		RESISTOR			
R1215	J00245820	Carbon film 1/4W VJ 82Ω			
R1205,1210	J00245101	" " " " 100Ω			POWER MODULE
R1204	J00245221	" " " " 220Ω	Q1301	G1090217	UP-07BL
R1203(L1202), 1206(L1204), 1209(L1205), 1211(L1207), 1216-1218 (L1208-1210)	J10246471	Carbon composition " GK 470Ω			DIODE
			D1301	G2090001	Silicon 10D1
			D1302,1303	G2090118	Schottky barrier 1SS97
R1212,1213	J00245102	Carbon film " VJ 1kΩ			
R1201,1207,1223	J00245152	" " " " 1.5kΩ			

		RESISTOR	R1404,1410,1414	J00245101	Carbon film 1/4W VJ 1k Ω
R1306	J01245560	Carbon film 1/4W TJ 56 Ω	R1402,1411	J01245562	" " " TJ 5.6k Ω
R1302(L1309)	J10246471	Carbon composition 1/4W GK 470 Ω			
					CAPACITOR
			C1401-1410,1412	K22170001	Ceramic 0.001 μ F (HDC60E102M)
VR1301	J51729201	POTENTIOMETER RV8FAN 200 Ω B	C1411	K40120106	Electrolytic 16WV TW 10 μ F (16RL10)
					TRIMMER CAPACITOR
C1310	K02179001	Ceramic disc 50WV CH 1pF (DD104CK010C50V02)	TC1401-1403, 1405,1406	K91000028	ECV-1ZW 10 x 53N 10pF
C1311	K02179003	" " " " 2pF (DD104CK020C50V02)			
C1304	K00172050	" " " " 5pF (DD104SL050C50V02)			INDUCTOR
C1308	K12171102	" " " " 0.001 μ F (DD105E102P50V02)	L1401-1406	L1020469	
	K40120106	Electrolytic 16WV TW 10 μ F (16RL10)	L1407	L0020472	
			L1409,1411	L0020473	
			L1408,1410,1412	L0020522	
				R5047914B	Heat sink L = 15 mm
		TRIMMER CAPACITOR		S5000015	" " NF-201AP
	K91000068	ECV1ZW 06 x 32 6pF			
		INDUCTOR			
L1308,1309	L1020469				
L1303,1304,1310	L0020770		***** 430 MHz CONVERTER BOARD *****		
			PB-1931	F0001931	Printed circuit board
				C9019310	PCB with components
		RELAY	PB-1932A	F0001932A	Printed circuit board
RL1301	M1590001	CX-140N (with J1301)		C9019320A	PCB with components
			PB-1933	F0001933	Printed circuit board
	Q4000003	Hermetic seal A350		C9019330	PCB with components
					TRANSISTOR
			Q1501,1502	G3314240	Transistor 2SC1424
***** 430 MHz EXCITER BOARD *****					
PB-1930A	F0001930A	Printed circuit board			DIODE
	C9019300A	PCB with components	D1503-1506	G2090118	Schottky barrier 1SS97
			D1507-1510	G2090027	Silicon 1SS53
			D1501,1502,1512	G2090033	" MI-301
		TRANSISTOR	D1511	G2001880F	Germanium 1S188FM
Q1401	G3314240	Transistor 2SC1424			
Q1402,1403	G3314260	" 2SC1426			
					RESISTOR
			R1504	J00245180	Carbon film 1/4W VJ 18 Ω
		DIODE	R1517	J01245180	" " " TJ 18 Ω
D1401	G2015550	Silicon 1S1555	R1515	J00245220	" " " VJ 22 Ω
			R1510	J00245101	" " " " 100 Ω
			R1518,1519	J01245331	" " " TJ 330 Ω
		RESISTOR	R1502,1505	J00245331	" " " VJ 330 Ω
R1408	J00245330	Carbon film 1/4W VJ 33 Ω	R1511(L1507), 1512(L1510), 1516(L1511)	J10246471	Carbon composition
R1405	J00245820	" " " " 82 Ω			" GK 470 Ω
R1415	J00245221	" " " " 220 Ω			
R1401(L1401), 1406(L1402), 1407(L1403), 1412(L1404), 1413(L1405), 1416(L1406)	J10246471	Carbon composition " GK 470 Ω	R1513	J00245561	Carbon film " VJ 560 Ω
			R1501,1506	J01245102	" " " TJ 1k Ω
			R1503,1507	J00245102	" " " VJ 1k Ω
			R1508	J00245222	" " " " 2.2k Ω
			R1514	J01245103	" " " TJ 10k Ω
R1403,1409	J00245471	Carbon film " VJ 470 Ω	R1509	J01245223	" " " " 22k Ω

		CAPACITOR	X1604	H0102251	HC-25/U	68.000MHz
C1524,1525	K00179001	Ceramic disc 50WV SL 0.5pF (DD104SL0R5C50V02)	X1605	H0102252	"	68.333MHz
			X1606*(OPTION)	H0102253	" (1.6MHz DOWN)	67.400MHz
C1526	K02179003	" " " " CH 2pF (DD104CK020C50V02)	X1606*(OPTION)	H0102254	" (7.6MHz DOWN)	67.066MHz
C1513,1514	K02179004	" " " " 3pF (DD104CK030C50V02)				
					RESISTOR	
C1502-1505	K02173080	" " " " 8pF (DD104CH080D50V02)	R1616	J00245101	Carbon film 1/4W VJ	100 Ω
			R1618	J01245101	" " " TJ	100 Ω
C1515	K00173100	" " " " SL 10pF (DD104SL100D50V02)	R1614	J00245221	" " " VJ	220 Ω
			R1601	J00245331	" " " "	330 Ω
C1523	K00175270	" " " " 27pF (DD104SL270J50V02)	R1612,1615	J00245471	" " " "	470 Ω
			R1607-1611,1619	J01245681	" " " TJ	680 Ω
C1506,1507	K02179017	" " " " CH 62pF (DD106CH620J50V02)	R1617	J00245272	" " " VJ	2.7k Ω
			R1602,1603,1605, 1606,1620	J00245103	" " " "	10k Ω
C1511,1512,1516	K22170001	" " " " 0.001 μ F (HDC60E102M)	R1604	J01245103	" " " TJ	10k Ω
			R1613	J00245273	" " " VJ	27k Ω
C1517-1522	K21170002	" feed thru 50WV 0.001 μ F (ECKY1H-102WE)				
C1501	K12171102	" disc 50WV 0.001 μ F (DD105E102P50V02)				
					CAPACITOR	
C1508-1510	K13170103	" " " " 0.01 μ F (DB201YF103Z5L5)	C1625	K00179001	Ceramic disc 50WV SL 0.5pF (DD104SL0R5C50V02)	
			C1631	K02179001	" " " CH 1pF (DD104CK010C50V02)	
		TRIMMER CAPACITOR	C1623,1626	K02172040	" " " " 4pF (DD104CH040C50V02)	
TC1501,1502, 1509	K91000055	ECV-1ZW 06 x 53N 6pF	C1602-1606,1633	K02172050	" " " " 5pF (DD104CH050C50V02)	
TC1505-1508	K91000028	ECV-1ZW 10 x 53N 10pF	C1613	K02173100	" " " " 10pF (DD104CH100D50V02)	
			C1616	K02179011	" " " " 27pF (DD104CH270J50V02)	
		INDUCTOR	C1601,1614	K02175470	" " " " 47pF (DD106CH470J50V02)	
L1505,1513	L0020720	FKMA070PB01-BR				
L1507,1510,1511	L1020469		C1607-1611,1621, 1622,1624, 1627-1630,1632	K12171102	" " " " 0.001 μ F (DD105E102P50V02)	
L1506	L0020470					
L1508,1509	L0020471		C1615,1617	K14170103	" " " " 0.01 μ F (DD106FZ103Z50V02)	
L1512	L0020476					
		HERMETIC SEAL	C1620	K14170473	" " " " 0.047 μ F (DD111FZ473Z50V02)	
	Q4000001	A102	C1618,1619	K40120106	Electrolytic 16WV TW 10 μ F (16RL10)	
					TRIMMER CAPACITOR	
		***** LOCAL BOARD *****				
PB-1934B	F0001934B	Printed circuit board	TC1601-1606	K91000029	ECV-1ZW 20 x 53N	20pF
	C9019349B	PCB with components				
					INDUCTOR	
		IC, TRANSISTOR	L1601	L1190005	FL4H-1R0M	1 μ H
Q1603	G1090123	IC 78L08	L1602	L0020417	TM-80160	
Q1601	G3307840R	Transistor 2SC784R				
Q1602	G3314240	" 2SC1424				
					TRANSFORMER	
			T1601,1602	L0020510	MB-80050	
		DIODE				
D1601-1606	G2090027	- Silicon 1SS53		Q5000011	Wrapping terminal C	
		CRYSTAL				
X1601	H0101220	HC-18/U 67.000MHz				
X1602	H0101230	" 67.333MHz				
X1603	H0101240	" 67.666MHz				