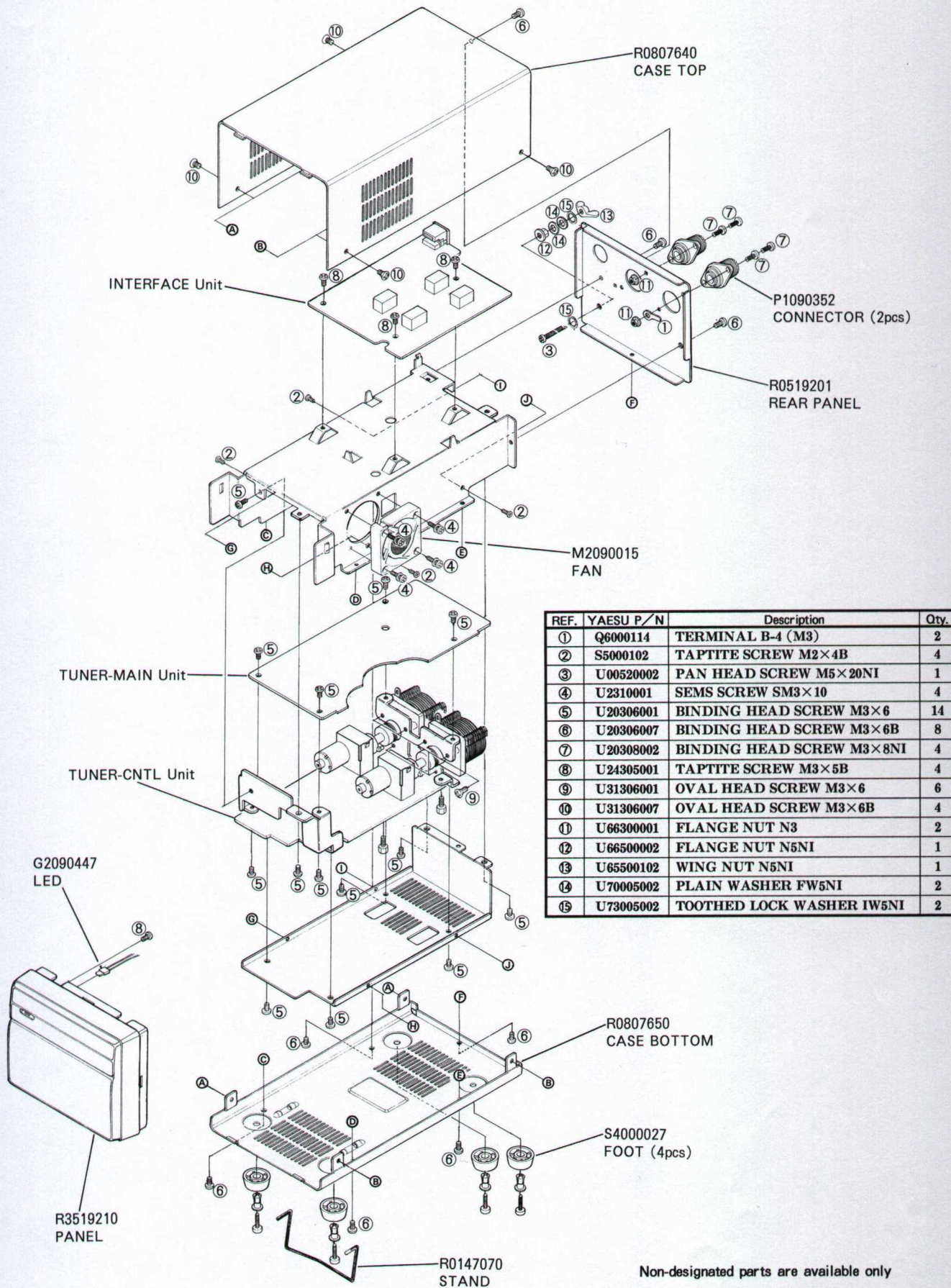


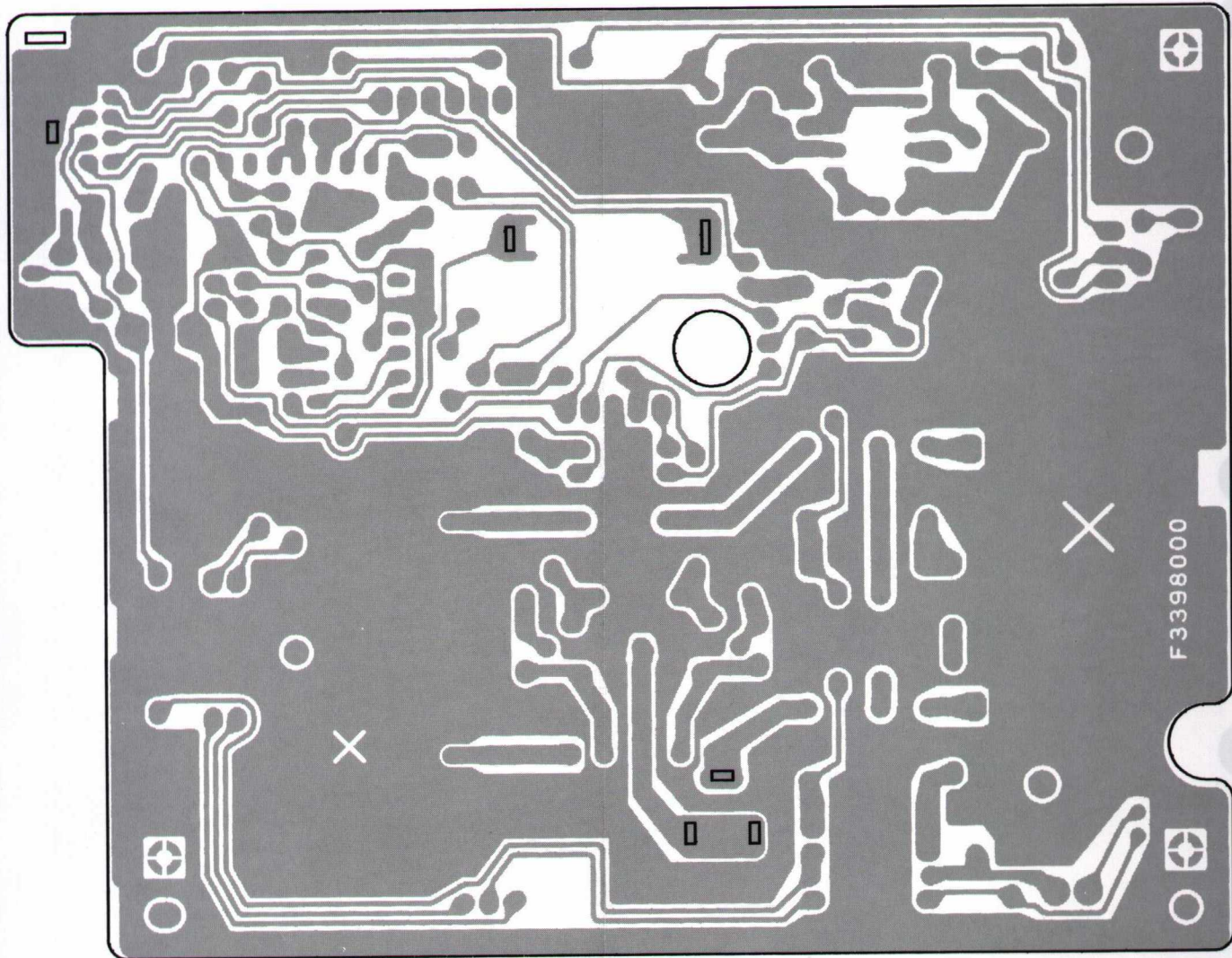
FC-10 (option)

Exploded View

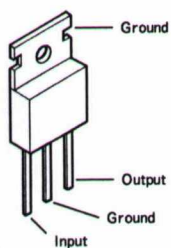


REF.	YAESU P/N	Description	Qty.
①	Q6000114	TERMINAL B-4 (M3)	2
②	S5000102	TAPTITE SCREW M2×4B	4
③	U00520002	PAN HEAD SCREW M5×20NI	1
④	U2310001	SEMS SCREW SM3×10	4
⑤	U20306001	BINDING HEAD SCREW M3×6	14
⑥	U20306007	BINDING HEAD SCREW M3×6B	8
⑦	U20308002	BINDING HEAD SCREW M3×8NI	4
⑧	U24305001	TAPTITE SCREW M3×5B	4
⑨	U31306001	OVAL HEAD SCREW M3×6	6
⑩	U31306007	OVAL HEAD SCREW M3×6B	4
⑪	U66300001	FLANGE NUT N3	2
⑫	U66500002	FLANGE NUT N5NI	1
⑬	U65500102	WING NUT N5NI	1
⑭	U70005002	PLAIN WASHER FW5NI	2
⑮	U73005002	TOOTHED LOCK WASHER IW5NI	2

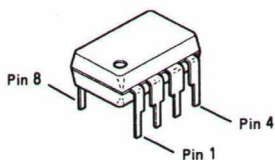
Non-designated parts are available only as part of a designated assembly.



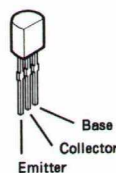
Obverse View of Solder Side



L7809
(Q1005)



IR3M03A
(Q1006)



2SC2002L
(Q1008)

Pin 7

Parts List

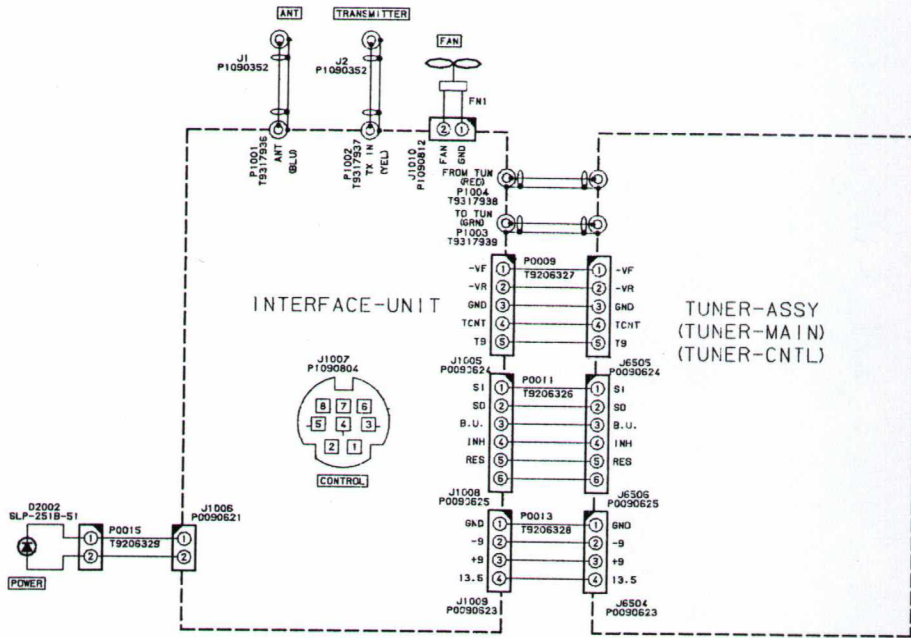
REF.	MPGR'S DESIG	VALUE	WV	TOL.	DESCRIPTION	YAESU P/N	VERS.
*** INTERFACE UNIT ***							
	PCB With Components					CA1085001	
	Printed Circuit Board					F3398000	
BH1001	BATTERY HOLDER				CR2032	P2000047	
C 1001	CERAMIC CAP.	220pF	50V	SL	DD107-979SL221J50	K26171037	
C 1002	CERAMIC CAP.	0.047uF	50V	F	UP050F473Z-A-B	K28179002	
C 1003	CERAMIC CAP.	0.047uF	50V	F	UP050F473Z-A-B	K28179002	
C 1004	CERAMIC CAP.	0.047uF	50V	F	UP050F473Z-A-B	K28179002	
C 1005	CERAMIC CAP.	0.047uF	50V	F	UP050F473Z-A-B	K28179002	
C 1006	CERAMIC CAP.	0.047uF	50V	F	UP050F473Z-A-B	K28179002	
C 1007	CERAMIC CAP.	0.047uF	50V	F	UP050F473Z-A-B	K28179002	
C 1008	CERAMIC CAP.	0.047uF	50V	F	UP050F473Z-A-B	K28179002	
C 1009	CERAMIC CAP.	0.047uF	50V	F	UP050F473Z-A-B	K28179002	
C 1010	AL. ELECTRO. CAP.	10uF	50V		50V100M5X11TR5	K46170021	
C 1011	CERAMIC CAP.	0.047uF	50V	F	UP050F473Z-A-B	K28179002	
C 1012	CERAMIC CAP.	0.047uF	50V	F	UP050F473Z-A-B	K28179002	
C 1013	AL. ELECTRO. CAP.	10uF	50V		50V100M5X11TR5	K46170021	
C 1014	CERAMIC CAP.	0.1uF	50V	F	UP050F104Z-A-B	K28179003	
C 1015	AL. ELECTRO. CAP.	100uF	25V		25V101M6X11TR5	K46140005	
C 1016	CERAMIC CAP.	0.047uF	50V	F	UP050F473Z-A-B	K28179002	
C 1017	AL. ELECTRO. CAP.	1uF	50V		50V010M5X11TR5	K46170017	
C 1018	CERAMIC CAP.	560pF	50V	SL	DD109-979SL561J50	K26171047	
C 1019	AL. ELECTRO. CAP.	470uF	16V		RE2-16V471M	K40129049	
C 1020	CERAMIC CAP.	0.047uF	50V	F	UP050F473Z-A-B	K28179002	
C 1021	CERAMIC CAP.	0.047uF	50V	F	UP050F473Z-A-B	K28179002	
C 1022	CERAMIC CAP.	0.047uF	50V	F	UP050F473Z-A-B	K28179002	
C 1023	AL. ELECTRO. CAP.	0.47uF	50V		50VR47M5X11TR5	K46170016	
C 1024	AL. ELECTRO. CAP.	0.47uF	50V		50VR47M5X11TR5	K46170016	
C 1025	AL. ELECTRO. CAP.	10uF	50V		50V100M5X11TR5	K46170021	
C 1026	AL. ELECTRO. CAP.	330uF	16V		16V331M8X11TR5	K46120002	
D 1001	DIODE				1SS101	G2090223	
D 1002	DIODE				1SS101	G2090223	
D 1003	DIODE				1SS101	G2090223	
D 1004	DIODE				1SS101	G2090223	
D 1005	DIODE				1SS270TJ	G2060004	
D 1006	DIODE				1SS270TJ	G2060004	
D 1007	DIODE				1SS270TJ	G2060004	
D 1008	DIODE				1SS270TJ	G2060004	
D 1009	DIODE				1SS270TJ	G2060004	
D 1010	DIODE				1SS83RE	G2050007	
D 1011	DIODE				1SS270TJ	G2060004	
D 1013	DIODE				1SS270TJ	G2060004	
J 1005	CONNECTOR				SC25-05WS	P0090624	
J 1007	CONNECTOR				CSK-M50-08 R41-0576F	P1090804	
J 1008	CONNECTOR				SC25-06WS	P0090625	
J 1009	CONNECTOR				SC25-04WS	P0090623	
J 1010	CONNECTOR				SBRK 2S-1	P1090812	

FC-10 (option)

REF.	MFGR'S DESIG	VALUE	WV	TOL.	DESCRIPTION	YAesu P/N	VERS.
JP1036	WIRE-ASSY					T9206329	
L 1001	COIL				U 2001F FR9.5	L0021956	
L 1002	M. RFC	1mH			LAL03TA102K	L1790119	
L 1003	M. RFC	1mH			LAL03TA102K	L1790119	
L 1004	M. RFC	3.9mH			RCR-875D-392K	L1190383	
L 1005	M. RFC	1mH			LAL03TA102K	L1790119	
L 1006	M. RFC	3.9mH			RCR-875D-392K	L1190383	
P 1001	WIRE-ASSY					T9317936	
P 1002	WIRE-ASSY					T9317937	
P 1003	WIRE-ASSY					T9317939	
P 1004	WIRE-ASSY					T9317938	
Q 1001	TRANSISTOR				BN1A4P-T	G3050002	
Q 1002	IC				M5218AL	G1091140	
Q 1003	IC				MC14584BCP	G1090224	
Q 1004	TRANSISTOR				BA1A4P-T	G3050003	
Q 1005	IC				L7809	G1090778	
Q 1006	IC				IR3M03A	G1090837	
Q 1007	TRANSISTOR				BA1A4P-T	G3050003	
Q 1008	TRANSISTOR				2SC2002L	G3320020L	
Q 1009	TRANSISTOR				BN1A4P-T	G3050002	
R 1001	METAL FILM RES.	100	1W	5%	ERG-1SJ101P	J22309010	
R 1002	CARBON FILM RES.	82K	1/6W	5%	RD16TPJ823	J07225823	
R 1003	CARBON FILM RES.	22K	1/6W	5%	RD16TPJ223	J07225223	
R 1004	CARBON FILM RES.	33K	1/6W	5%	RD16TPJ333	J07225333	
R 1005	CARBON FILM RES.	22K	1/6W	5%	RD16TPJ223	J07225223	
R 1006	CARBON FILM RES.	47K	1/6W	5%	RD16TPJ473	J07225473	
R 1007	CARBON FILM RES.	47K	1/6W	5%	RD16TPJ473	J07225473	
R 1008	CARBON FILM RES.	1M	1/6W	5%	RD16TPJ105	J07225105	
R 1009	CARBON FILM RES.	10K	1/6W	5%	RD16TPJ103	J07225103	
R 1010	CARBON FILM RES.	1K	1/6W	5%	RD16TPJ102	J07225102	
R 1011	CARBON FILM RES.	10K	1/6W	5%	RD16TPJ103	J07225103	
R 1012	CARBON FILM RES.	5.6	1/6W	5%	RD16TPJ5R6	J07225569	
R 1013	METAL FILM RES.	1.43K	1/4W	1%	MRS25F 1.43K	J20249102	
R 1014	METAL FILM RES.	8.87K	1/4W	1%	MRS25F 8.87K	J20249046	
R 1015	CARBON FILM RES.	10K	1/6W	5%	RD16TPJ103	J07225103	
R 1016	CARBON FILM RES.	2.2M	1/6W	5%	RD16TPJ225	J07225225	
R 1017	CARBON FILM RES.	10K	1/6W	5%	RD16TPJ103	J07225103	
R 1018	CARBON FILM RES.	1K	1/6W	5%	RD16TPJ102	J07225102	
R 1019	CARBON FILM RES.	15	1/4W	5%	RD14TJ150	J01245150	
R 1020	CARBON FILM RES.	10K	1/6W	5%	RD16TPJ103	J07225103	
RL1001	RELAY		DC12V		AG2013	M1190045	
RL1002	RELAY		DC12V		AG2013	M1190045	
RL1003	RELAY		DC12V		AG2013	M1190045	
RL1004	RELAY		DC12V		AG2013	M1190045	
S 1001	SLIDE SWITCH				SSS21200	N6090033	

FC-10 (option)

Interconnection Diagram



Interface Unit Circuit Diagram

